



COMMONWEALTH OF KENTUCKY
TRANSPORTATION CABINET

Frankfort, Kentucky 40622
www.transportation.ky.gov/

Matthew G. Bevin
Governor

Greg Thomas
Secretary

February 18, 2019

CALL NO. 114
CONTRACT ID NO. 191009
ADDENDUM # 1

Subject: Madison County, STP 6271(016)
Letting February 22, 2019

- (1) Revised - Proposal Bid items - Pages 204 to 209(a) of 209
- (2) Revised - Plan Sheet - 26899 S1, R2, R2A, R2B, R2C, R2D, R2E, R2F, R2G,
R2H, R2P, T8

Proposal revisions are available at <http://transportation.ky.gov/Construction-Procurement/>.

If you have any questions, please contact us at 502-564-3500.

Sincerely,

A handwritten signature in cursive script that reads "Rachel Mills".

Rachel Mills, P.E.
Director
Division of Construction Procurement

RM:mw
Enclosures



An Equal Opportunity Employer M/F/D

PROPOSAL BID ITEMS

191009

Page 1 of 7

Report Date 2/18/19

Section: 0001 - PAVING

LINE	BID CODE	ALT	DESCRIPTION	QUANTITY	UNIT	UNIT PRIC	FP	AMOUNT
0010	00003		CRUSHED STONE BASE	29,366.00	TON		\$	
0030	00020		TRAFFIC BOUND BASE	29.00	TON		\$	
0050	00100		ASPHALT SEAL AGGREGATE	188.00	TON		\$	
0060	00103		ASPHALT SEAL COAT	23.00	TON		\$	
0070	00190		LEVELING & WEDGING PG64-22	248.00	TON		\$	
0080	00212		CL2 ASPH BASE 1.00D PG64-22	3,160.00	TON		\$	
0090	00214		CL3 ASPH BASE 1.00D PG64-22	7,897.00	TON		\$	
0100	00301		CL2 ASPH SURF 0.38D PG64-22	897.00	TON		\$	
0105	00356		ASPHALT MATERIAL FOR TACK (ADDED: 2-18-19)	8.30	TON		\$	
0120	00388		CL3 ASPH SURF 0.38B PG64-22	2,512.00	TON		\$	
0130	02071		JPC PAVEMENT-11 IN	33,189.00	SQYD		\$	
0142	02223		GRANULAR EMBANKMENT (ADDED: 2-18-19)	13,825.00	CUYD		\$	
0145	02599		FABRIC-GEOTEXTILE TYPE IV (ADDED: 2-18-19)	44,375.00	SQYD		\$	
0150	02677		ASPHALT PAVE MILLING & TEXTURING	668.00	TON		\$	
0170	20071EC		JOINT ADHESIVE	26,880.00	LF		\$	
0180	21289ED		LONGITUDINAL EDGE KEY	14,420.00	LF		\$	

Section: 0002 - ROADWAY

LINE	BID CODE	ALT	DESCRIPTION	QUANTITY	UNIT	UNIT PRIC	FP	AMOUNT
0190	00078		CRUSHED AGGREGATE SIZE NO 2	5,011.00	TON		\$	
0200	01000		PERFORATED PIPE-4 IN	567.00	LF		\$	
0210	01010		NON-PERFORATED PIPE-4 IN	269.00	LF		\$	
0220	01020		PERF PIPE HEADWALL TY 1-4 IN	3.00	EACH		\$	
0230	01028		PERF PIPE HEADWALL TY 3-4 IN	8.00	EACH		\$	
0240	01811		STANDARD CURB AND GUTTER MOD	438.00	LF		\$	
0250	01830		STANDARD INTEGRAL CURB	1,454.00	LF		\$	
0260	01845		ISLAND INTEGRAL CURB	449.00	LF		\$	
0270	01875		STANDARD HEADER CURB	251.00	LF		\$	
0280	01915		STANDARD BARRIER MEDIAN TYPE 1	120.00	SQYD		\$	
0290	01982		DELINEATOR FOR GUARDRAIL MONO DIRECTIONAL WHITE	38.00	EACH		\$	
0300	01983		DELINEATOR FOR GUARDRAIL MONO DIRECTIONAL YELLOW	33.00	EACH		\$	
0310	01985		DELINEATOR FOR BARRIER - YELLOW	8.00	EACH		\$	
0320	01987		DELINEATOR FOR GUARDRAIL BI DIRECTIONAL WHITE	75.00	EACH		\$	
0330	02014		BARRICADE-TYPE III	20.00	EACH		\$	
0340	02091		REMOVE PAVEMENT	2,061.00	SQYD		\$	
0350	02159		TEMP DITCH	8,895.00	LF		\$	
0360	02230		EMBANKMENT IN PLACE	133,723.00	CUYD		\$	
0370	02242		WATER	700.00	MGAL		\$	
0380	02261		FENCE-WOVEN WIRE	4,039.00	LF		\$	
0390	02351		GUARDRAIL-STEEL W BEAM-S FACE	9,050.00	LF		\$	

PROPOSAL BID ITEMS

191009

Page 2 of 7

Report Date 2/18/19

LINE	BID CODE	ALT	DESCRIPTION	QUANTITY	UNIT	UNIT PRIC	FP	AMOUNT
0400	02360		GUARDRAIL TERMINAL SECTION NO 1	11.00	EACH		\$	
0410	02363		GUARDRAIL CONNECTOR TO BRIDGE END TY A	4.00	EACH		\$	
0420	02367		GUARDRAIL END TREATMENT TYPE 1	15.00	EACH		\$	
0430	02369		GUARDRAIL END TREATMENT TYPE 2A	9.00	EACH		\$	
0440	02381		REMOVE GUARDRAIL	6,464.00	LF		\$	
0450	02397		TEMP GUARDRAIL	1,437.50	LF		\$	
0460	02429		RIGHT-OF-WAY MONUMENT TYPE 1	71.00	EACH		\$	
0470	02432		WITNESS POST	3.00	EACH		\$	
0480	02545		CLEARING AND GRUBBING ACRES	1.00	LS		\$	
0490	02562		TEMPORARY SIGNS	910.00	SQFT		\$	
0500	02585		EDGE KEY	283.00	LF		\$	
0510	02596		FABRIC-GEOTEXTILE TYPE I	15,000.00	SQYD		\$	
0520	02650		MAINTAIN & CONTROL TRAFFIC	1.00	LS		\$	
0530	02654		TRUCK MOUNTED ATTENUATOR	1.00	EACH		\$	
0540	02671		PORTABLE CHANGEABLE MESSAGE SIGN	4.00	EACH		\$	
0550	02690		SAFELOADING	10.00	CUYD		\$	
0560	02701		TEMP SILT FENCE	8,894.00	LF		\$	
0570	02703		SILT TRAP TYPE A	58.00	EACH		\$	
0580	02704		SILT TRAP TYPE B	58.00	EACH		\$	
0590	02705		SILT TRAP TYPE C	58.00	EACH		\$	
0600	02706		CLEAN SILT TRAP TYPE A	58.00	EACH		\$	
0610	02707		CLEAN SILT TRAP TYPE B	58.00	EACH		\$	
0620	02708		CLEAN SILT TRAP TYPE C	58.00	EACH		\$	
0630	02726		STAKING	1.00	LS		\$	
0640	02731		REMOVE STRUCTURE KY 627 OVER I-75	1.00	LS		\$	
0650	02775		ARROW PANEL	4.00	EACH		\$	
0660	03145		CONC MEDIAN BARRIER TYPE 9C2	372.00	LF		\$	
0670	03171		CONCRETE BARRIER WALL TYPE 9T	9,550.00	LF		\$	
0680	04953		TEMP RELOCATION OF SIGNAL HEAD	4.00	EACH		\$	
0690	05950		EROSION CONTROL BLANKET	9,935.00	SQYD		\$	
0700	05952		TEMP MULCH	222,842.00	SQYD		\$	
0710	05953		TEMP SEEDING AND PROTECTION	140,360.00	SQYD		\$	
0720	05963		INITIAL FERTILIZER	12.00	TON		\$	
0730	05964		MAINTENANCE FERTILIZER	12.00	TON		\$	
0740	05985		SEEDING AND PROTECTION	222,842.00	SQYD		\$	
0750	05990		SODDING	1,000.00	SQYD		\$	
0760	05992		AGRICULTURAL LIMESTONE	145.00	TON		\$	
0770	06401		FLEXIBLE DELINEATOR POST-M/W	141.00	EACH		\$	
0780	06403		FLEXIBLE DELINEATOR POST-B/W	78.00	EACH		\$	
0790	06404		FLEXIBLE DELINEATOR POST-M/Y	27.00	EACH		\$	
0800	06510		PAVE STRIPING-TEMP PAINT-4 IN	27,000.00	LF		\$	
0810	06511		PAVE STRIPING-TEMP PAINT-6 IN	46,000.00	LF		\$	
0820	06514		PAVE STRIPING-PERM PAINT-4 IN	37,887.00	LF		\$	
0830	06515		PAVE STRIPING-PERM PAINT-6 IN	38,924.00	LF		\$	
0840	06517		PAVE STRIPING-PERM PAINT-12 IN	3,387.00	LF		\$	
0850	06568		PAVE MARKING-THERMO STOP BAR-24IN	406.00	LF		\$	
0860	06570		PAVE MARKING-PAINT CROSS-HATCH	6,820.00	SQFT		\$	

PROPOSAL BID ITEMS

191009

Page 3 of 7

Report Date 2/18/19

LINE	BID CODE	ALT	DESCRIPTION	QUANTITY	UNIT	UNIT PRIC	FP	AMOUNT
0870	06572		PAVE MARKING-DOTTED LANE EXTEN	2,677.00	LF		\$	
0880	06574		PAVE MARKING-THERMO CURV ARROW	53.00	EACH		\$	
0890	06575		PAVE MARKING-THERMO COMB ARROW	9.00	EACH		\$	
0900	06576		PAVE MARKING-THERMO ONLY	5.00	EACH		\$	
0910	06578		PAVE MARKING-THERMO MERGE ARROW	4.00	EACH		\$	
0920	06588		PAVEMENT MARKER TY IVA-BY TEMP	320.00	EACH		\$	
0930	08100		CONCRETE-CLASS A	17.20	CUYD		\$	
0940	08150		STEEL REINFORCEMENT	214.00	LB		\$	
0950	08903		CRASH CUSHION TY VI CLASS BT TL3	10.00	EACH		\$	
0960	10020NS		FUEL ADJUSTMENT	28,700.00	DOLL	\$1.00	\$	\$28,700.00
0970	10030NS		ASPHALT ADJUSTMENT	26,000.00	DOLL	\$1.00	\$	\$26,000.00
0980	20362ES403		SHOULDER RUMBLE STRIPS-SAWED	20,896.00	LF		\$	
0990	20430ED		SAW CUT	680.00	LF		\$	
1000	23274EN11F		TURF REINFORCEMENT MAT 1	11,257.00	SQYD		\$	
1010	23877EC		CONC MEDIAN BARRIER WALL TY 14C	67.00	LF		\$	
1020	24489EC		INLAID PAVEMENT MARKER	1,330.00	EACH		\$	
1030	24668EC		STEEL ENCASEMENT PIPE 16 IN	213.00	LF		\$	
1040	24814EC		PIPELINE INSPECTION	1,000.00	LF		\$	

Section: 0003 - DRAINAGE

LINE	BID CODE	ALT	DESCRIPTION	QUANTITY	UNIT	UNIT PRIC	FP	AMOUNT
1050	00440		ENTRANCE PIPE-15 IN	241.00	LF		\$	
1060	00441		ENTRANCE PIPE-18 IN	172.00	LF		\$	
1070	00443		ENTRANCE PIPE-24 IN	74.00	LF		\$	
1080	00462		CULVERT PIPE-18 IN	435.00	LF		\$	
1090	00464		CULVERT PIPE-24 IN	226.00	LF		\$	
1100	00466		CULVERT PIPE-30 IN	203.00	LF		\$	
1110	00469		CULVERT PIPE-42 IN	125.00	LF		\$	
1120	00521		STORM SEWER PIPE-15 IN	94.00	LF		\$	
1130	00522		STORM SEWER PIPE-18 IN	230.00	LF		\$	
1140	00524		STORM SEWER PIPE-24 IN	100.00	LF		\$	
1150	00526		STORM SEWER PIPE-30 IN	50.00	LF		\$	
1160	00528		STORM SEWER PIPE-36 IN	451.00	LF		\$	
1170	00529		STORM SEWER PIPE-42 IN	40.00	LF		\$	
1180	00530		STORM SEWER PIPE-48 IN	36.00	LF		\$	
1190	01204		PIPE CULVERT HEADWALL-18 IN	3.00	EACH		\$	
1200	01208		PIPE CULVERT HEADWALL-24 IN	3.00	EACH		\$	
1210	01210		PIPE CULVERT HEADWALL-30 IN	4.00	EACH		\$	
1220	01212		PIPE CULVERT HEADWALL-36 IN	2.00	EACH		\$	
1230	01214		PIPE CULVERT HEADWALL-42 IN	3.00	EACH		\$	
1240	01433		SLOPED BOX OUTLET TYPE 1-18 IN	4.00	EACH		\$	
1250	01434		SLOPED BOX OUTLET TYPE 1-24 IN	1.00	EACH		\$	
1260	01450		S & F BOX INLET-OUTLET-18 IN	6.00	EACH		\$	
1270	01451		S & F BOX INLET-OUTLET-24 IN	6.00	EACH		\$	
1280	01452		S & F BOX INLET-OUTLET-30 IN	1.00	EACH		\$	
1290	01456		CURB BOX INLET TYPE A	4.00	EACH		\$	
1300	01490		DROP BOX INLET TYPE 1	6.00	EACH		\$	

PROPOSAL BID ITEMS

191009

Page 4 of 7

Report Date 2/18/19

LINE	BID CODE	ALT	DESCRIPTION	QUANTITY	UNIT	UNIT PRIC	FP	AMOUNT
1310	01643		JUNCTION BOX-24 IN	4.00	EACH		\$	
1320	01645		JUNCTION BOX-36 IN	2.00	EACH		\$	
1330	01646		JUNCTION BOX-42 IN	1.00	EACH		\$	
1340	01691		FLUME INLET TYPE 2	4.00	EACH		\$	
1350	01767		MANHOLE TYPE C	5.00	EACH		\$	
1360	02477		CAP CATCH BASIN	1.00	SQYD		\$	
1370	02483		CHANNEL LINING CLASS II	25.00	TON		\$	
1380	02484		CHANNEL LINING CLASS III	670.00	TON		\$	
1390	02600		FABRIC GEOTEXTILE TY IV FOR PIPE	4,022.00	SQYD	\$2.00	\$	\$8,044.00
1400	20211ES706		BORE & JACK PIPE	94.00	LF		\$	

Section: 0004 - BRIDGE- 26899

LINE	BID CODE	ALT	DESCRIPTION	QUANTITY	UNIT	UNIT PRIC	FP	AMOUNT
1410	02231		STRUCTURE GRANULAR BACKFILL	460.00	CUYD		\$	
1420	02998		MASONRY COATING	1,435.00	SQYD		\$	
1430	03299		ARMORED EDGE FOR CONCRETE	179.60	LF		\$	
1440	08001		STRUCTURE EXCAVATION-COMMON	380.00	CUYD		\$	
1450	08016		REINF CONC SLOPE WALL-6 IN	1,050.00	SQYD		\$	
1460	08033		TEST PILES	218.00	LF		\$	
1470	08039		PRE-DRILLING FOR PILES (REVISED: 2-18-19)	1,176.00	LF		\$	
1480	08046		PILES-STEEL HP12X53	2,980.00	LF		\$	
1490	08094		PILE POINTS-12 IN	106.00	EACH		\$	
1500	08100		CONCRETE-CLASS A	349.20	CUYD		\$	
1510	08104		CONCRETE-CLASS AA	764.80	CUYD		\$	
1520	08135		MECHANICAL REINF COUPLER #10	16.00	EACH		\$	
1530	08150		STEEL REINFORCEMENT	69,862.00	LB		\$	
1540	08151		STEEL REINFORCEMENT-EPOXY COATED	313,759.00	LB		\$	
1550	08635		PRECAST PC I BEAM TYPE 6	2,446.70	LF		\$	
1560	21532ED		RAIL SYSTEM TYPE III	494.10	LF		\$	

Section: 0005 - BRIDGE-26910

LINE	BID CODE	ALT	DESCRIPTION	QUANTITY	UNIT	UNIT PRIC	FP	AMOUNT
1570	02403		REMOVE CONCRETE MASONRY	9.00	CUYD		\$	
1580	08003		FOUNDATION PREPARATION	1.00	LS		\$	
1590	08100		CONCRETE-CLASS A	21.60	CUYD		\$	
1600	08150		STEEL REINFORCEMENT	1,886.00	LB		\$	

Section: 0006 - BRIDGE-26911

LINE	BID CODE	ALT	DESCRIPTION	QUANTITY	UNIT	UNIT PRIC	FP	AMOUNT
1610	02403		REMOVE CONCRETE MASONRY	14.00	CUYD		\$	
1620	08003		FOUNDATION PREPARATION	1.00	LS		\$	
1630	08100		CONCRETE-CLASS A	54.20	CUYD		\$	

PROPOSAL BID ITEMS

191009

Page 5 of 7

Report Date 2/18/19

LINE	BID CODE	ALT	DESCRIPTION	QUANTITY	UNIT	UNIT PRIC	FP	AMOUNT
1640	08150		STEEL REINFORCEMENT	4,833.00	LB		\$	

Section: 0007 - SEWER

LINE	BID CODE	ALT	DESCRIPTION	QUANTITY	UNIT	UNIT PRIC	FP	AMOUNT
1650	01787		REMOVE MANHOLE	8.00	EACH		\$	
1660	01810		STANDARD CURB AND GUTTER	18.00	LF		\$	
1670	01812		REMOVE CURB AND GUTTER	18.00	LF		\$	
1680	02091		REMOVE PAVEMENT ALL DEPTHS	93.00	SQYD		\$	
1690	02650		MAINTAIN & CONTROL TRAFFIC SANITARY SEWER	1.00	LS		\$	
1700	03387		PVC PIPE-8 IN	341.00	LF		\$	
1710	03389		PVC PIPE-10 IN	824.00	LF		\$	
1720	15000		S BYPASS PUMPING	1.00	EACH		\$	
1730	15020		S ENCASEMENT STEEL OPEN CUT RANGE 1	85.00	LF		\$	
1740	15022		S ENCASEMENT STEEL OPEN CUT RANGE 3 SCH 40 STEEL CASING PIPE	60.00	LF		\$	
1750	15022		S ENCASEMENT STEEL OPEN CUT RANGE 3 SEE PLANS	245.00	LF		\$	
1760	15023		S ENCASEMENT STEEL OPEN CUT RANGE 4 SEE PLANS	215.00	LF		\$	
1770	15029		S FORCE MAIN AIR RLS/VAC VLV SPCL	2.00	EACH		\$	
1780	15061		S FORCE MAIN PVC 08 INCH	2,090.00	LF		\$	
1790	15068		S FORCE MAIN SPECIAL 1.5" SDR21 PVC	130.00	LF		\$	
1800	15092		S MANHOLE	8.00	EACH		\$	
1810	15094		S MANHOLE ADJUST TO GRADE	5.00	EACH		\$	
1820	15099		S MANHOLE TAP EXISTING	5.00	EACH		\$	
1830	15101		S MANHOLE WITH DROP 4" DIAMETER	1.00	EACH		\$	
1840	15101		S MANHOLE WITH DROP INTERNAL DROP	1.00	EACH		\$	
1850	15104		S PIPE DUCTILE IRON 08 INCH	271.00	LF		\$	
1860	15114		S PIPE PVC 12 INCH	162.00	LF		\$	
1870	20757ED		PAVEMENT REPAIR	93.00	SQYD		\$	
1880	21415ND		EROSION CONTROL SANITARY SEWER	1.00	LS		\$	
1890	23300ED		CRUSHED STONE	662.00	TON		\$	
1900	24814EC		PIPELINE INSPECTION	3,859.00	LF		\$	
1910	40095		SEEDING AND MULCHING	3.00	ACRE		\$	

Section: 0008 - SIGNING

LINE	BID CODE	ALT	DESCRIPTION	QUANTITY	UNIT	UNIT PRIC	FP	AMOUNT
1920	06400		GMSS GALV STEEL TYPE A	312.50	LB		\$	
1930	06406		SBM ALUM SHEET SIGNS .080 IN	670.00	SQFT		\$	
1940	06407		SBM ALUM SHEET SIGNS .125 IN	102.00	SQFT		\$	
1950	06410		STEEL POST TYPE 1	1,926.00	LF		\$	

PROPOSAL BID ITEMS

191009

Page 6 of 7

Report Date 2/18/19

LINE	BID CODE	ALT	DESCRIPTION	QUANTITY	UNIT	UNIT PRIC	FP	AMOUNT
1960	06441		GMSS GALV STEEL TYPE C	256.50	LB		\$	
1970	06451		REMOVE SIGN SUPPORT BEAM	4.00	EACH		\$	
1980	06490		CLASS A CONCRETE FOR SIGNS	9.22	CUYD		\$	
1990	06491		STEEL REINFORCEMENT FOR SIGNS	228.00	LB		\$	
2000	20418ED		REMOVE & RELOCATE SIGNS	2.00	EACH		\$	
2010	21596ND		GMSS TYPE D	15.00	EACH		\$	
2020	24631EC		BARCODE SIGN INVENTORY	371.00	EACH		\$	

Section: 0009 - SIGNALIZATION

LINE	BID CODE	ALT	DESCRIPTION	QUANTITY	UNIT	UNIT PRIC	FP	AMOUNT
2030	04792		CONDUIT-1 IN	88.00	LF		\$	
2040	04795		CONDUIT-2 IN	45.00	LF		\$	
2050	04811		ELECTRICAL JUNCTION BOX TYPE B	9.00	EACH		\$	
2060	04820		TRENCHING AND BACKFILLING	820.00	LF		\$	
2070	04830		LOOP WIRE	3,144.00	LF		\$	
2080	04844		CABLE-NO. 14/5C	1,964.00	LF		\$	
2090	04850		CABLE-NO. 14/1 PAIR	4,695.00	LF		\$	
2100	04885		MESSENGER-10800 LB	970.00	LF		\$	
2110	04895		LOOP SAW SLOT AND FILL	1,288.00	LF		\$	
2120	04931		INSTALL CONTROLLER TYPE 170	2.00	EACH		\$	
2130	04932		INSTALL STEEL STRAIN POLE	8.00	EACH		\$	
2140	20094ES835		TEMP RELOCATION OF SIGNAL HEAD	36.00	EACH		\$	
2150	20188NS835		INSTALL LED SIGNAL-3 SECTION	19.00	EACH		\$	
2160	20390NS835		INSTALL COORDINATING UNIT	2.00	EACH		\$	
2170	23157EN		TRAFFIC SIGNAL POLE BASE	35.10	CUYD		\$	
2180	24900EC		PVC CONDUIT-1 1/4 IN-SCHEDULE 80	715.00	LF		\$	
2190	24901EC		PVC CONDUIT-2 IN-SCHEDULE 80	60.00	LF		\$	
2200	24955ED		REMOVE SIGNAL EQUIPMENT	2.00	EACH		\$	

Section: 0010 - LIGHTING

LINE	BID CODE	ALT	DESCRIPTION	QUANTITY	UNIT	UNIT PRIC	FP	AMOUNT
2210	04714		POLE 120 FT MTG HT HIGH MAST	9.00	EACH		\$	
2220	04761		LIGHTING CONTROL EQUIPMENT	2.00	EACH		\$	
2230	04797		CONDUIT-3 IN (REVISED: 2-18-19)	1,041.00	LF		\$	
2240	04800		MARKER	15.00	EACH		\$	
2250	04820		TRENCHING AND BACKFILLING	9,962.00	LF		\$	
2260	20391NS835		ELECTRICAL JUNCTION BOX TYPE A	4.00	EACH		\$	
2270	20392NS835		ELECTRICAL JUNCTION BOX TYPE C	4.00	EACH		\$	
2280	21543EN		BORE AND JACK CONDUIT	1,041.00	LF		\$	
2290	23161EN		POLE BASE-HIGH MAST	45.00	CUYD		\$	
2300	24749EC		HIGH MAST LED LUMINAIRE	44.00	EACH		\$	
2310	24851EC		CABLE-NO. 10/3C DUCTED	10,740.00	LF		\$	

191009

PROPOSAL BID ITEMS

Page 7 of 7

Report Date 2/18/19

Section: 0011 - DEMOBILIZATION &/OR MOBILIZATION

LINE	BID CODE	ALT	DESCRIPTION	QUANTITY	UNIT	UNIT PRIC	FP	AMOUNT
2320	02568		MOBILIZATION	1.00	LS		\$	
2330	02569		DEMOBILIZATION	1.00	LS		\$	

TYPICAL SECTIONS

COUNTY OF	ITEM NO.	SHEET NO.
MADISON	7-8403	R2

- ① 6' Paved Shoulder Without Guardrail
- ② 8' Paved Shoulder With Guardrail
- ③ Widen Shoulder 3' For Guardrail
- ④ Asphalt Seal Coat Required from the Outside Edge of the Paved Shoulder to a Point 2' Down the Ditch or Fill Slope. Two (2) Applications at the rate of:
2.40 lbs/SY Item 103 Asphalt Seal Coat
20 lbs/SY Item 100 Asphalt Seal Aggregate (Size No 8 or 9MM)
- ⑤ See cross sections for slopes outside the limits of the shoulder
- ⑥ For Median And Lane Transitions - See Plans

NEW CONSTRUCTION GRADE, DRAIN & FLEXIBLE PAVEMENT USING

DRIVING LANE - OVERLAY

APPROXIMATELY BASE [LEVELING & WEDGING PG64-22 *]

APPROXIMATELY 1/2" SURFACE [1/2" CL3 ASPHALT SURFACE 0.38B PG64-22 * AS REQUIRED]

SHOULDER - OVERLAY

APPROXIMATELY BASE [LEVELING & WEDGING PG64-22 *]

APPROXIMATELY 1/2" SURFACE [1/2" CL2 ASPHALT SURFACE 0.38B PG64-22 * AS REQUIRED]

DRIVING LANES - BASE WIDENING

12" ROCK ROADBED [12" GRANULAR EMBANKMENT FABRIC - GEOTEXTILE TYPE IV]

APPROXIMATELY 13" BASE [6" CRUSHED STONE BASE 3/2" CL3 ASPHALT BASE 1.00D PG64-22 3/2" CL3 ASPHALT BASE 1.00D PG64-22]

APPROXIMATELY 1/2" SURFACE [1/2" CL3 ASPHALT SURFACE 0.38B PG64-22]

SHOULDERS

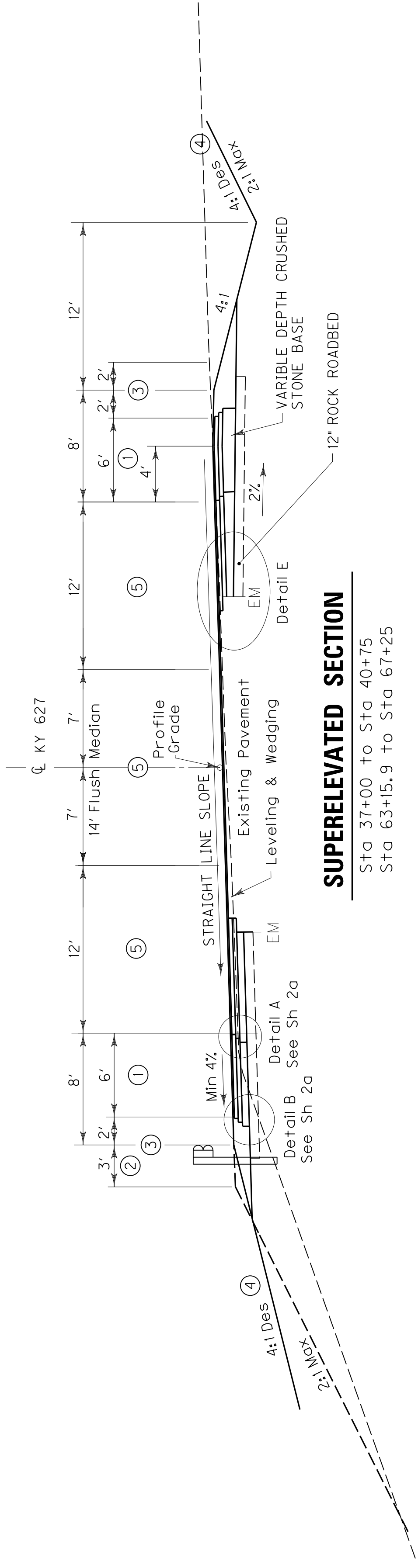
12" ROCK ROADBED [12" GRANULAR EMBANKMENT FABRIC - GEOTEXTILE TYPE IV]

APPROXIMATELY 13" BASE [6" CRUSHED STONE BASE 3/2" CL2 ASPHALT BASE 1.00D PG64-22 3/2" CL2 ASPHALT BASE 1.00D PG64-22]

APPROXIMATELY 1/2" SURFACE [1/2" CL2 ASPHALT SURFACE 0.38B PG64-22]

KY 627

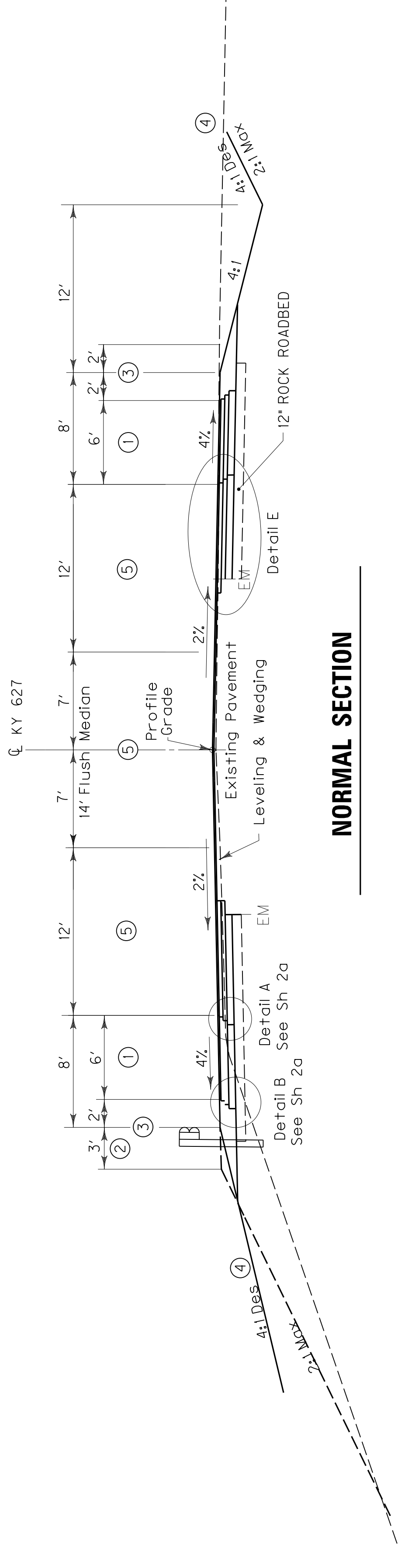
OVERLAY & BASE WIDENING



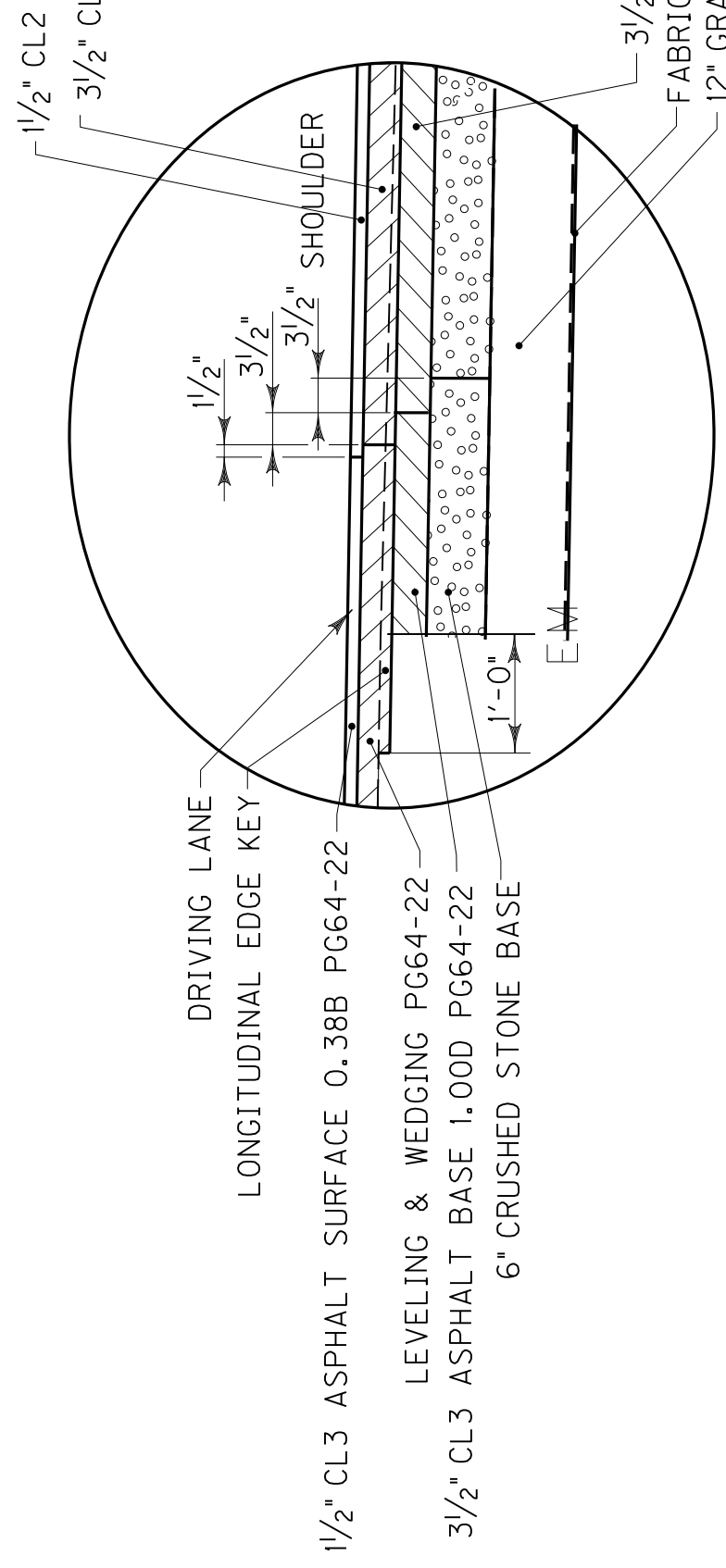
SUPERELEVATED SECTION

Sta 37+00 to Sta 40+75
Sta 63+15.9 to Sta 67+25

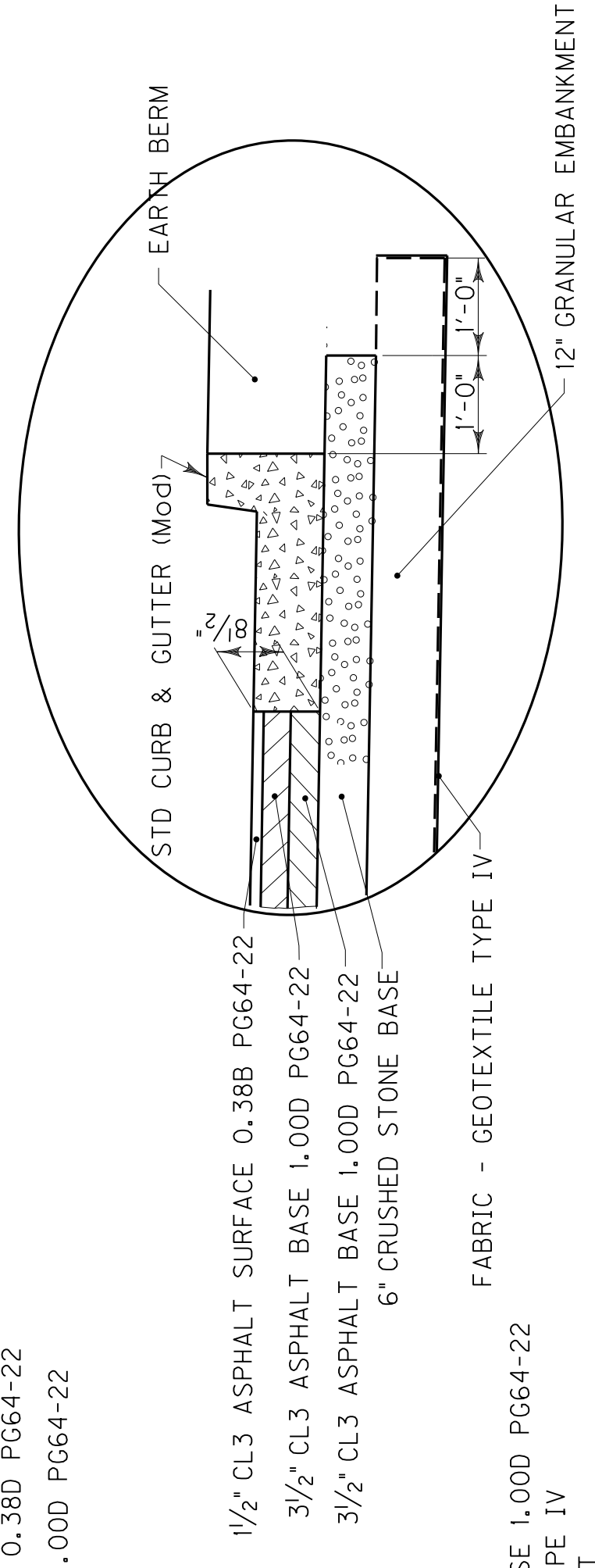
NORMAL SECTION



DETAIL E



STD CURB & GUTTER DETAIL



SEE PLAN SHEET FOR LOCATION

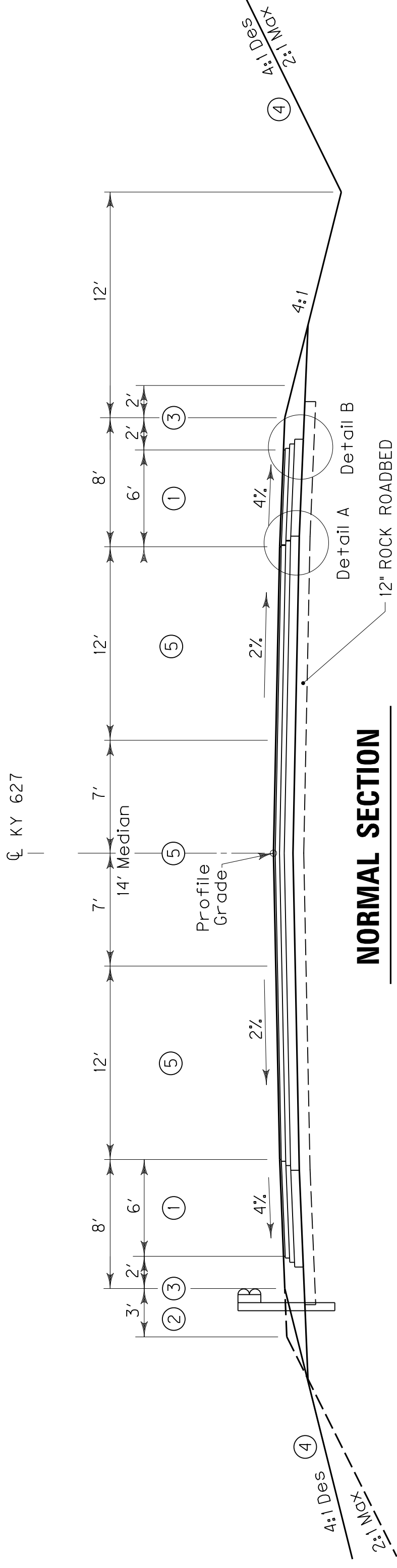
SCALE: 1"=

KY 627

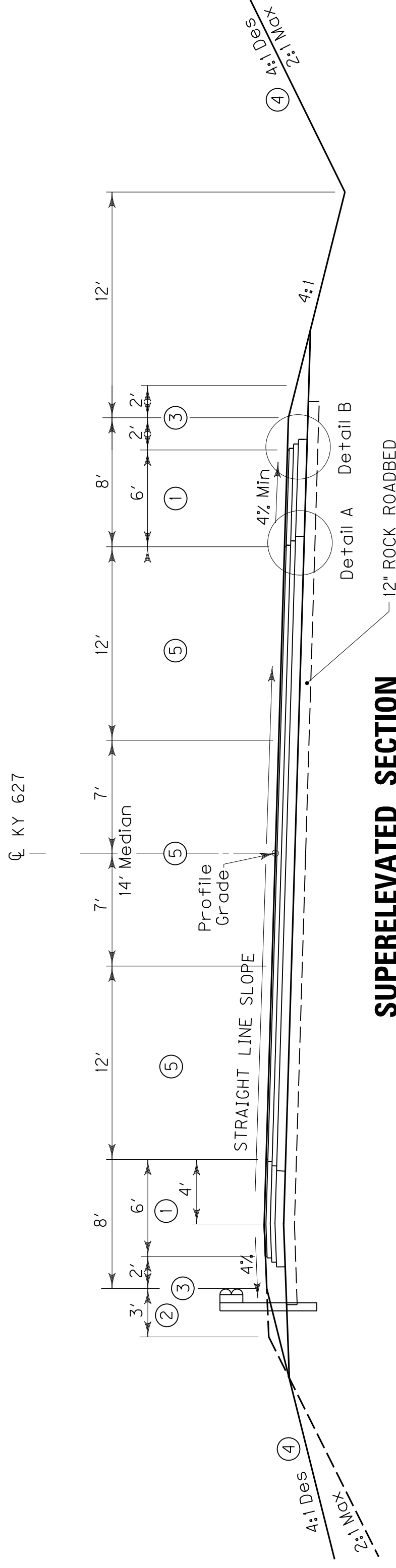
TYPICAL SECTIONS

TYPICAL SECTIONS

KY 627

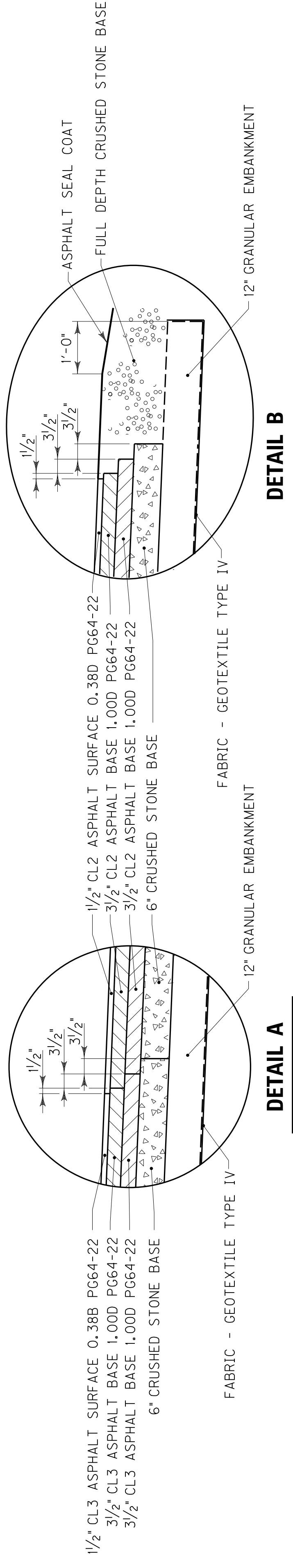


NORMAL SECTION



SUPERELEVATED SECTION

Sta 40+75 Sta 44+00



DETAIL A

DETAIL B

- ① 6' Paved Shoulder Without Guardrail
8' Paved Shoulder With Guardrail
- ② Widen Shoulder 3' For Guardrail
- ③ Asphalt Seal Coat Required from the Outside Edge of the Paved Shoulder to a Point 2' Down the Ditch or Fill Slope. Two (2) Applications at the rate of:
2.40 lbs/SY Item 103 Asphalt Seal Coat
20 lbs/SY Item 100 Asphalt Seal Aggregate (Size No 8 or 9MM)
- ④ See cross sections for slopes outside the limits of the shoulder
- ⑤ For Median And Lane Transitions - See Plans

NEW CONSTRUCTION
GRADE, DRAIN & FLEXIBLE PAVEMENT

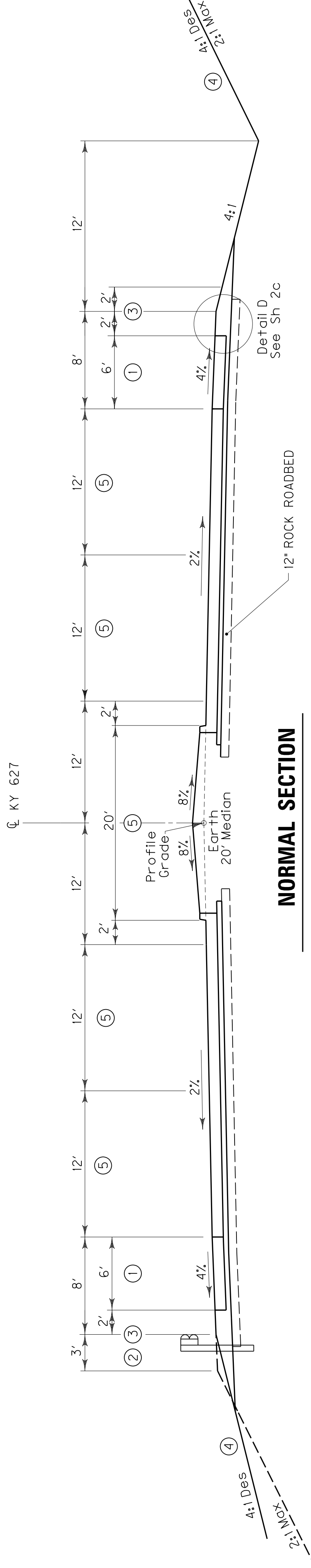
USING
DRIVING LANES

- 12" ROCK ROADBED [12" GRANULAR EMBANKMENT
FABRIC - GEOTEXTILE TYPE IV
- APPROXIMATELY 13" BASE [6" CRUSHED STONE BASE
3 1/2" CL3 ASPHALT BASE 1,000 PG64-22
3 1/2" CL3 ASPHALT BASE 1,000 PG64-22
- APPROXIMATELY 1 1/2" SURFACE [1 1/2" CL3 ASPHALT SURFACE 0.38B PG64-22
- SHOULDERS
- 12" ROCK ROADBED [12" GRANULAR EMBANKMENT
FABRIC - GEOTEXTILE TYPE IV
- APPROXIMATELY 13" BASE [6" CRUSHED STONE BASE
3 1/2" CL2 ASPHALT BASE 1,000 PG64-22
3 1/2" CL2 ASPHALT BASE 1,000 PG64-22
- APPROXIMATELY 1 1/2" SURFACE [1 1/2" CL2 ASPHALT SURFACE 0.38D PG64-22

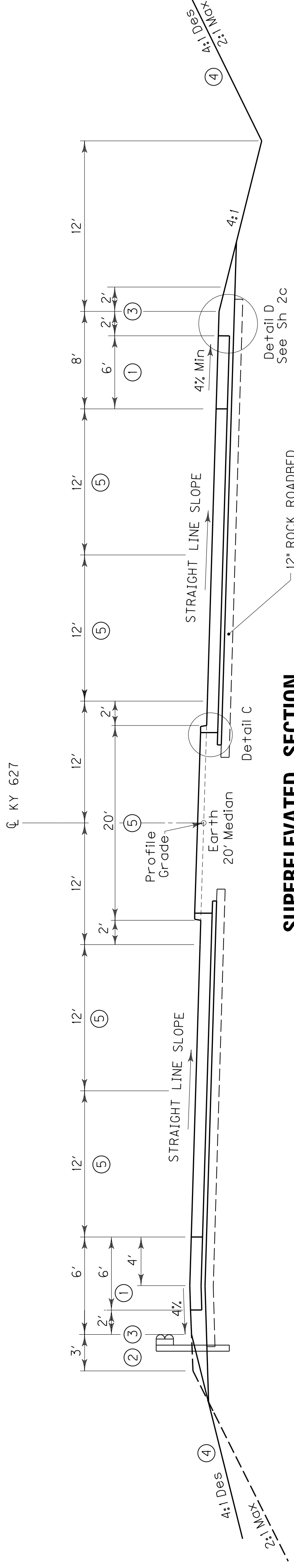
COUNTY OF	ITEM NO.	SHEET NO.
MADISON	7-8403	R2a

TYPICAL SECTIONS

KY 627

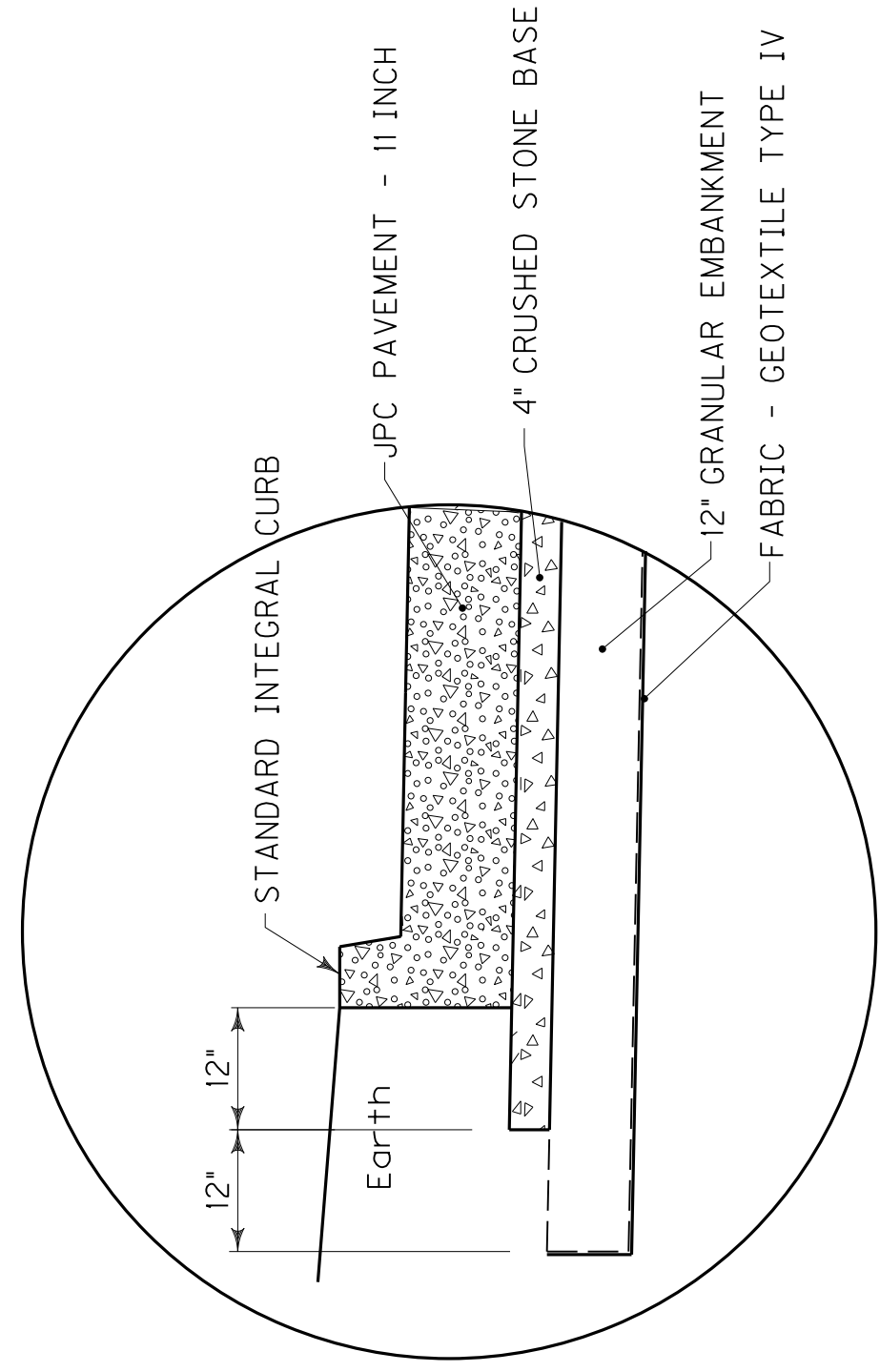


NORMAL SECTION

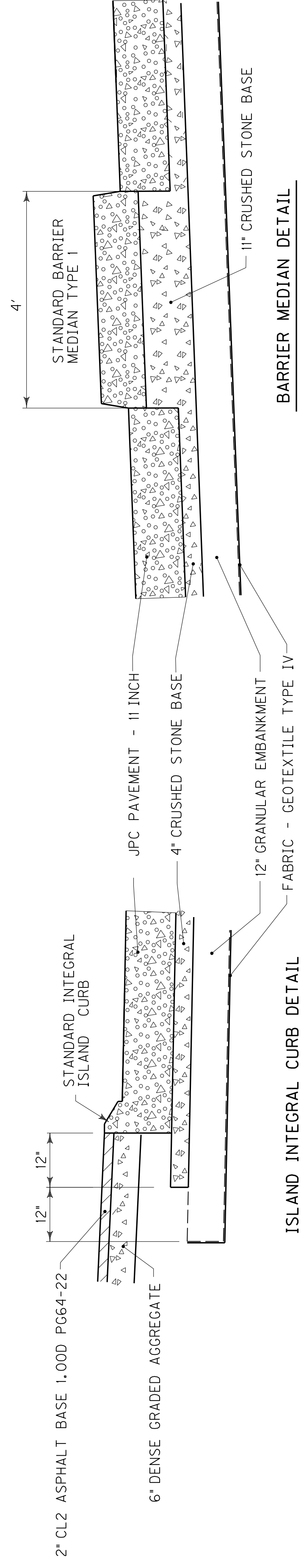


SUPERELEVATED SECTION

Sta 44+00.6 to Sta 47+00.6
Sta 53+18.4 Sta 63+15.9



DETAIL C



BARRIER MEDIAN DETAIL

LT STA 59+00 - 61+69

- ① 6' Paved Shoulder Without Guardrail
- ② 8' Paved Shoulder With Guardrail
- ③ Widen Shoulder 3' For Guardrail
- ④ Asphalt Seal Coat Required from the Outside Edge of the Paved Shoulder to a Point 2' Down the Ditch or Fill Slope. Two (2) Applications at the rate of:
2.40 lbs/SY Item 103 Asphalt Seal Coat
20 lbs/SY Item 100 Asphalt Seal Aggregate (Size No 8 or 9MM)
- ⑤ See cross sections for slopes outside the limits of the shoulder
- ⑥ For Median And Lane Transitions - See Plans

**NEW CONSTRUCTION
GRADE, DRAIN & RIGID PAVEMENT**



12" ROCK ROADBED..... [12" GRANULAR EMBANKMENT FABRIC - GEOTEXTILE TYPE IV

APPROX 4" BASE [4" CRUSHED STONE BASE
APPROX 11" SURF [JPC PAVEMENT - 11 INCH

SHOULDERS

12" ROCK ROADBED..... [12" GRANULAR EMBANKMENT FABRIC - GEOTEXTILE TYPE IV

APPROX 4" BASE [4" CRUSHED STONE BASE
APPROX 11" SURF [JPC PAVEMENT - 11 INCH

COUNTY OF	ITEM NO.	SHEET NO.
MADISON	7-8403	R2b

SCALE: 1"=

TYPICAL SECTIONS

KY 627

REVISED 2-18-19

COUNTY OF	ITEM NO.	SHEET NO.
MADISON	7-8403	R2b

- ① 6' Paved Shoulder Without Guardrail
- ② 8' Paved Shoulder With Guardrail
- ③ Widen Shoulder 3' For Guardrail
- ④ Asphalt Seal Coat Required from the Outside Edge of the Paved Shoulder to a Point 2' Down the Ditch or Fill Slope. Two (2) Applications at the rate of:
2.40 lbs/SY Item 103 Asphalt Seal Coat
20 lbs/SY Item 100 Asphalt Seal Aggregate (Size No 8 or 9MM)
- ⑤ See cross sections for slopes outside the limits of the shoulder
- ⑥ For Median And Lane Transitions - See Plans

NEW CONSTRUCTION GRADE, DRAIN & RIGID PAVEMENT USING

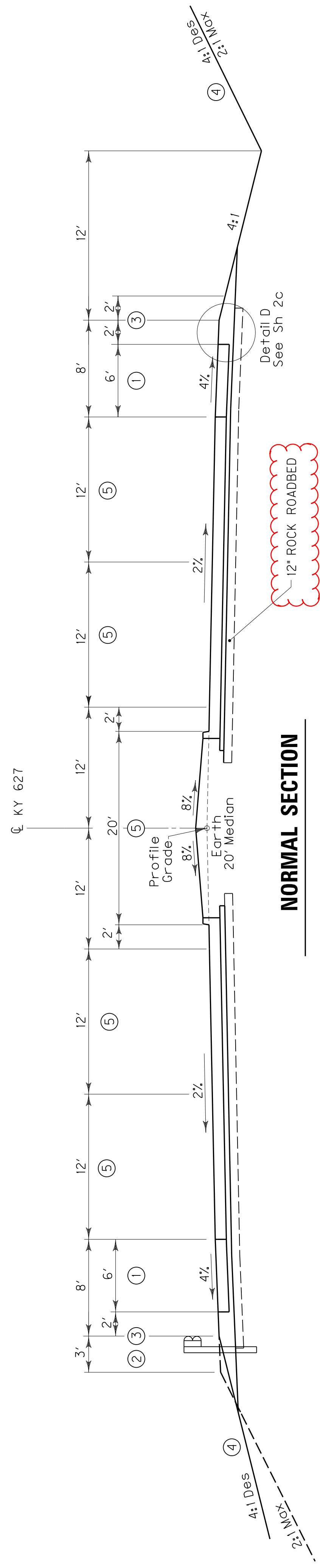


- APPROX 4" BASE [4" CRUSHED STONE BASE
- APPROX 11" SURF [JPC PAVEMENT - 11 INCH

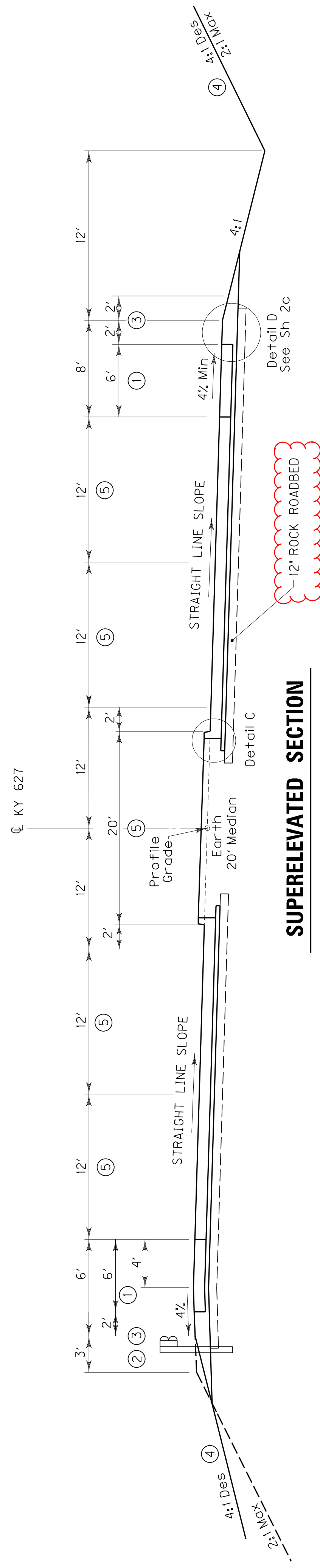
SHOULDERS



- APPROX 4" BASE [4" CRUSHED STONE BASE
- APPROX 11" SURF [JPC PAVEMENT - 11 INCH

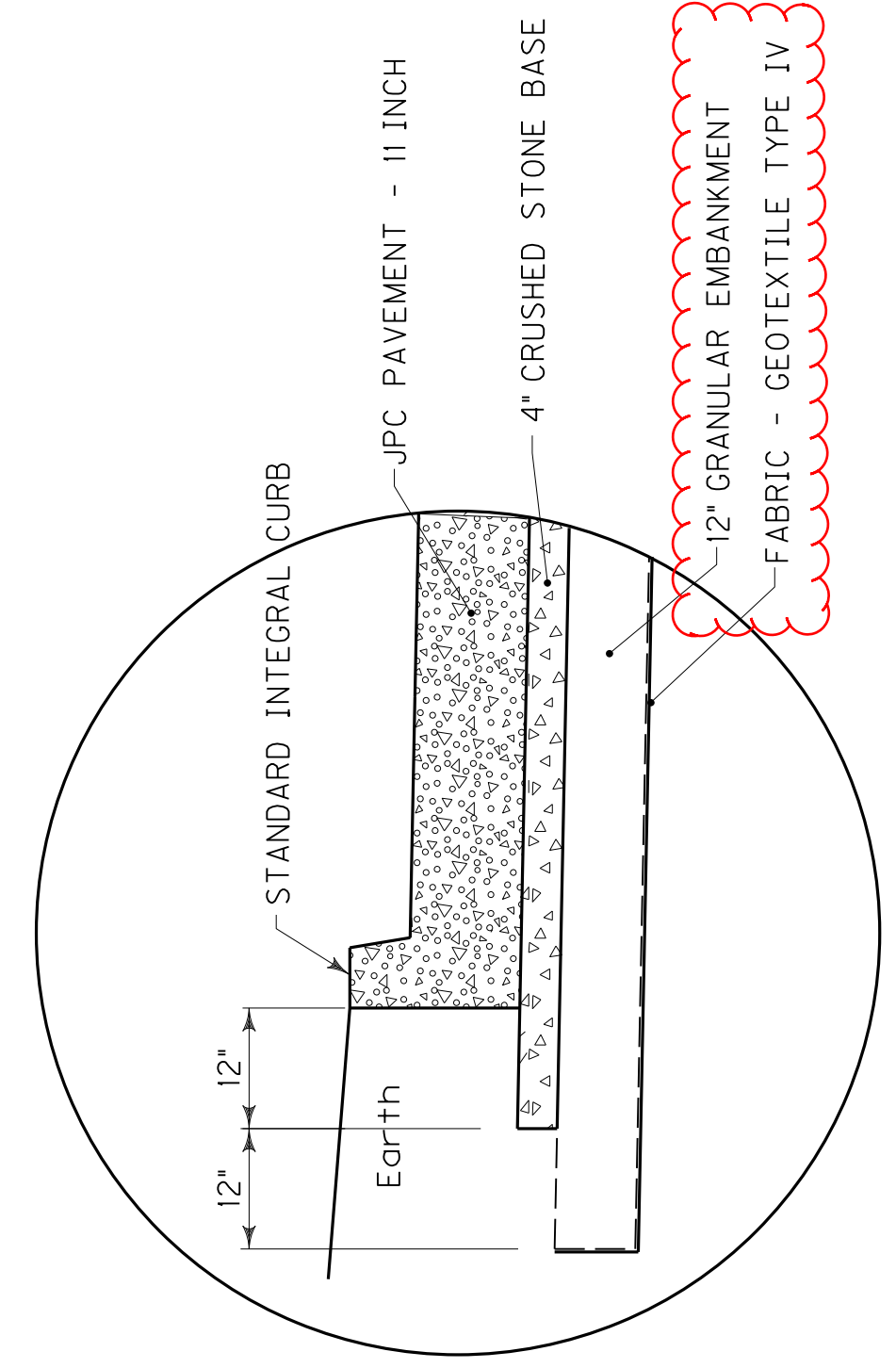


NORMAL SECTION

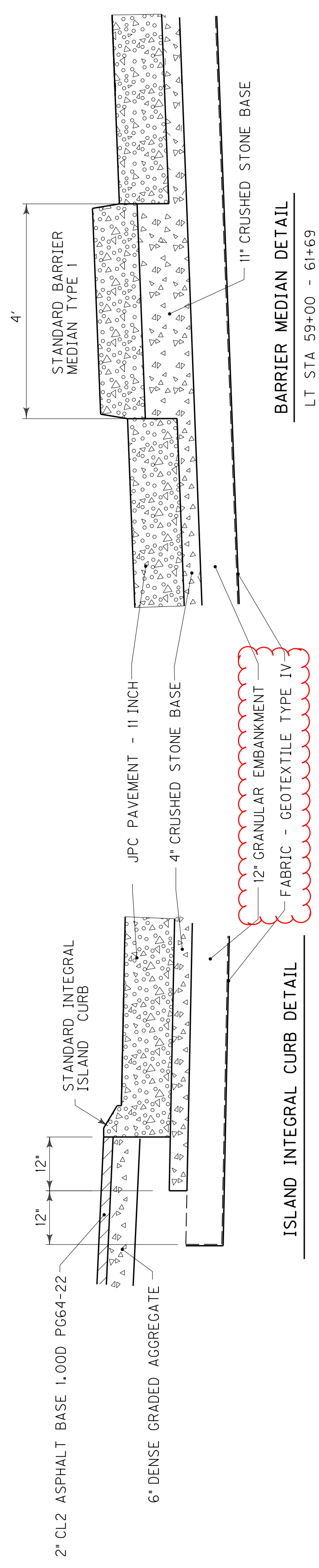


SUPERELEVATED SECTION

Sta 44+00.6 to Sta 47+00.6
Sta 53+18.4 Sta 63+15.9



DETAIL C



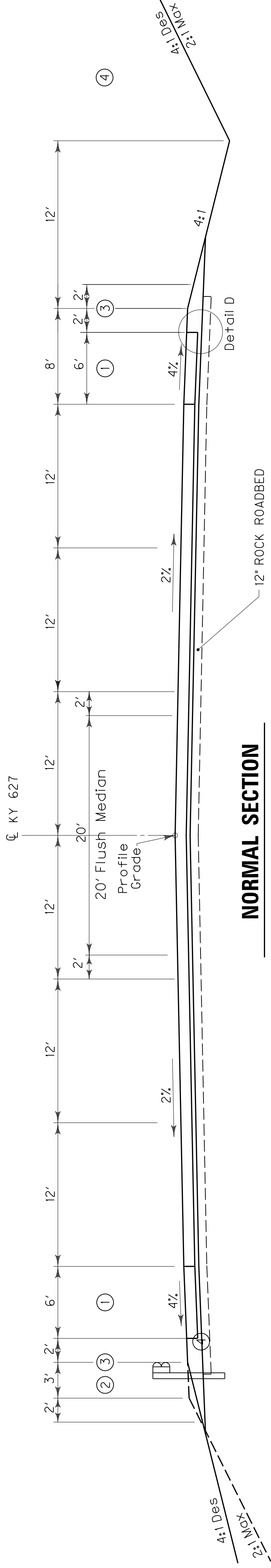
ISLAND INTEGRAL CURB DETAIL

SCALE: 1"=

KY 627
TYPICAL SECTIONS

TYPICAL SECTIONS

KY 627

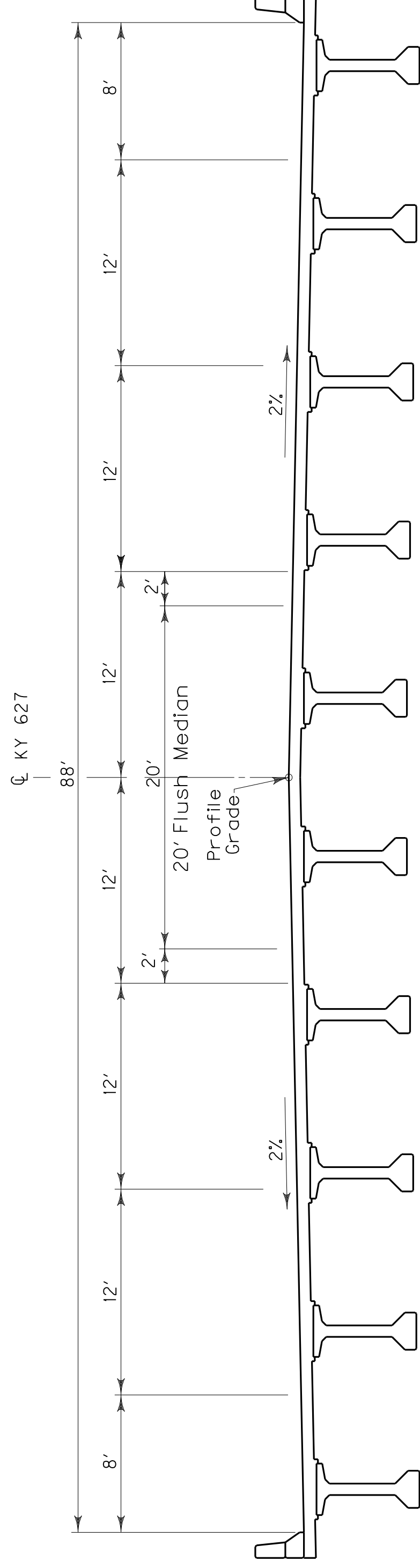


NORMAL SECTION

Sta 47+00.6 to Sta 53+18.4

KY 627

Bridge Typical



NORMAL SECTION

- ① 6' Paved Shoulder Without Guardrail
- ② 8' Paved Shoulder With Guardrail
- ③ Widen Shoulder 3' For Guardrail
- ④ Asphalt Seal Coat Required from the Outside Edge of the Paved Shoulder to a Point 2' Down the Ditch or Fill Slope. Two (2) Applications at the rate of:
240 lbs/SY Item 103 Asphalt Seal Coat
20 lbs/SY Item 100 Asphalt Seal Aggregate (Size No 8 or 9MM)
- ⑤ See cross sections for slopes outside the limits of the shoulder

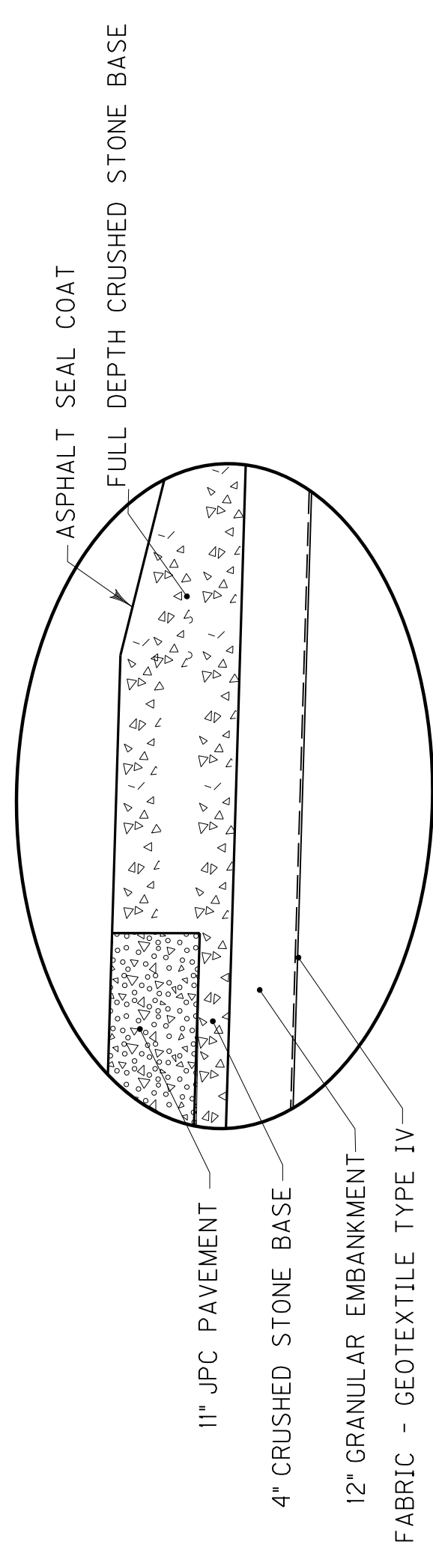
NEW CONSTRUCTION GRADE, DRAIN & RIGID PAVEMENT



- 12" ROCK ROADBED [12" GRANULAR EMBANKMENT FABRIC - GEOTEXTILE TYPE IV
- APPROX 4" BASE [4" CRUSHED STONE BASE
- APPROX 11" SURF [JPC PAVEMENT - 11 INCH

SHOULDERS

- 12" ROCK ROADBED [12" GRANULAR EMBANKMENT FABRIC - GEOTEXTILE TYPE IV
- APPROX 4" BASE [4" CRUSHED STONE BASE
- APPROX 11" SURF [JPC PAVEMENT - 11 INCH



DETAIL D

SCALE: 1"=

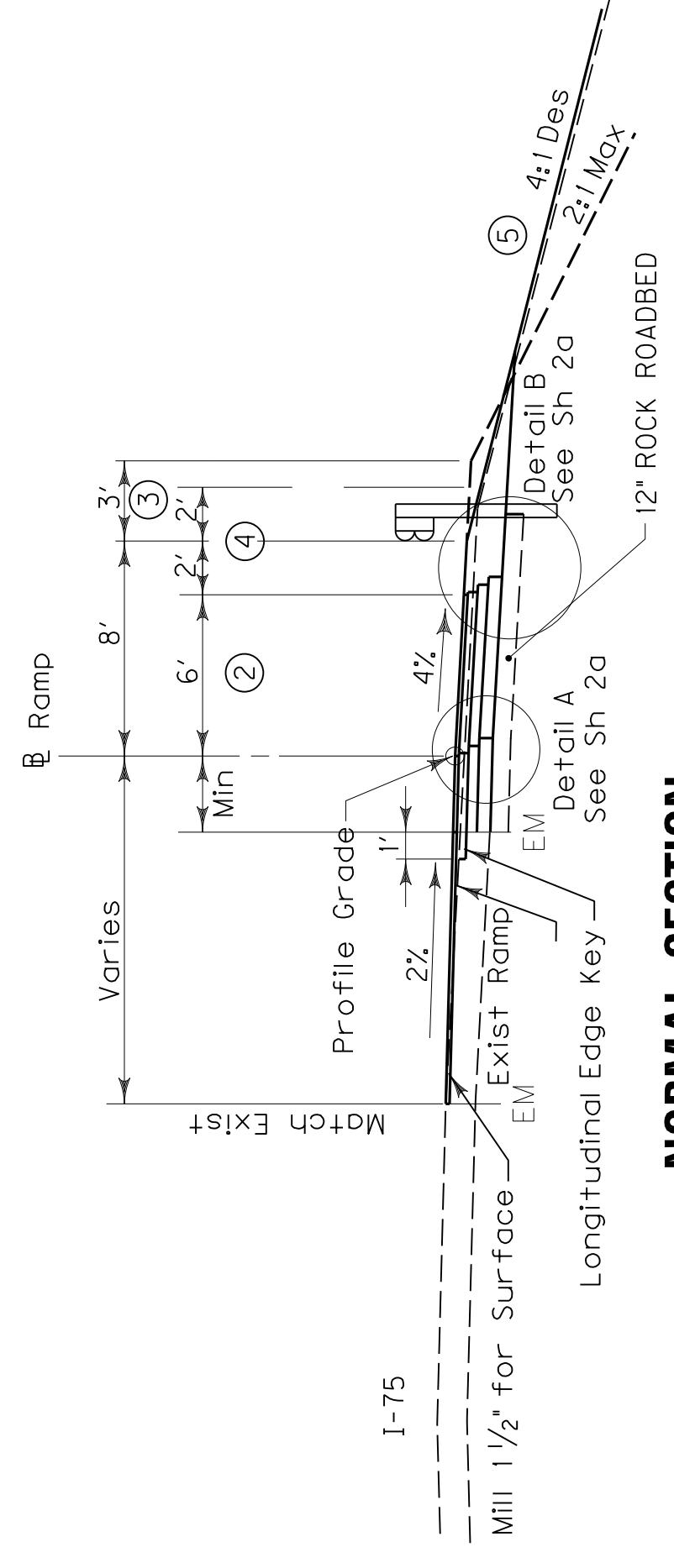
KY 627
TYPICAL SECTIONS

TYPICAL SECTIONS

COUNTY OF	ITEM NO.	SHEET NO.
MADISON	7-8403	R2d

RAMPS

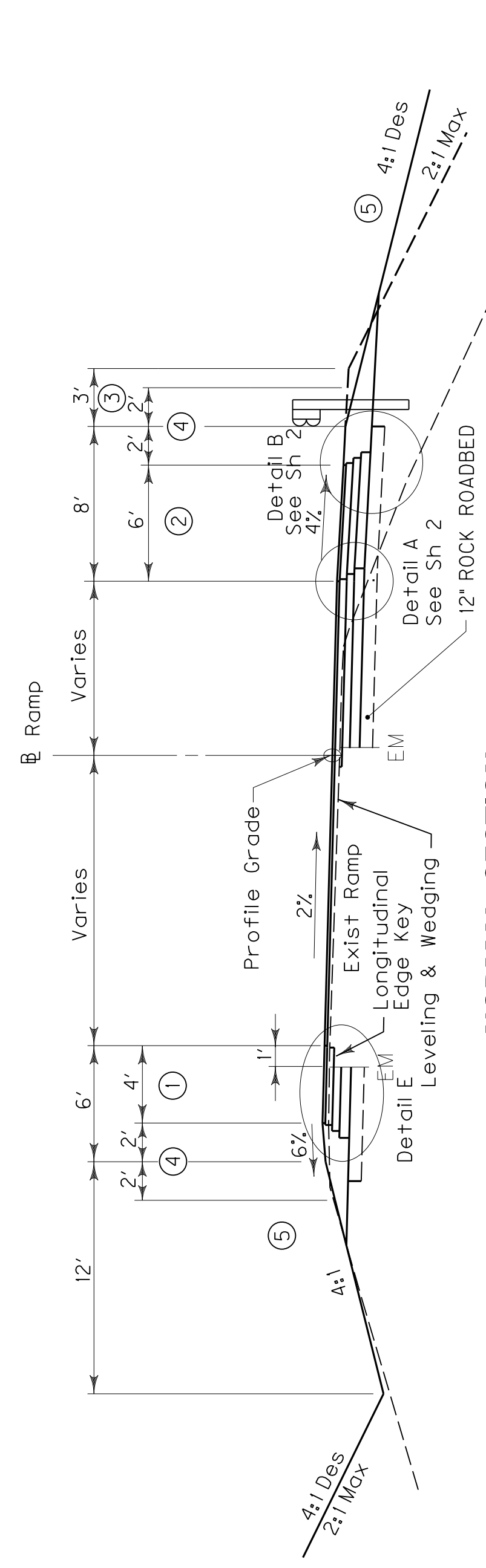
I-75 Taper



NORMAL SECTION

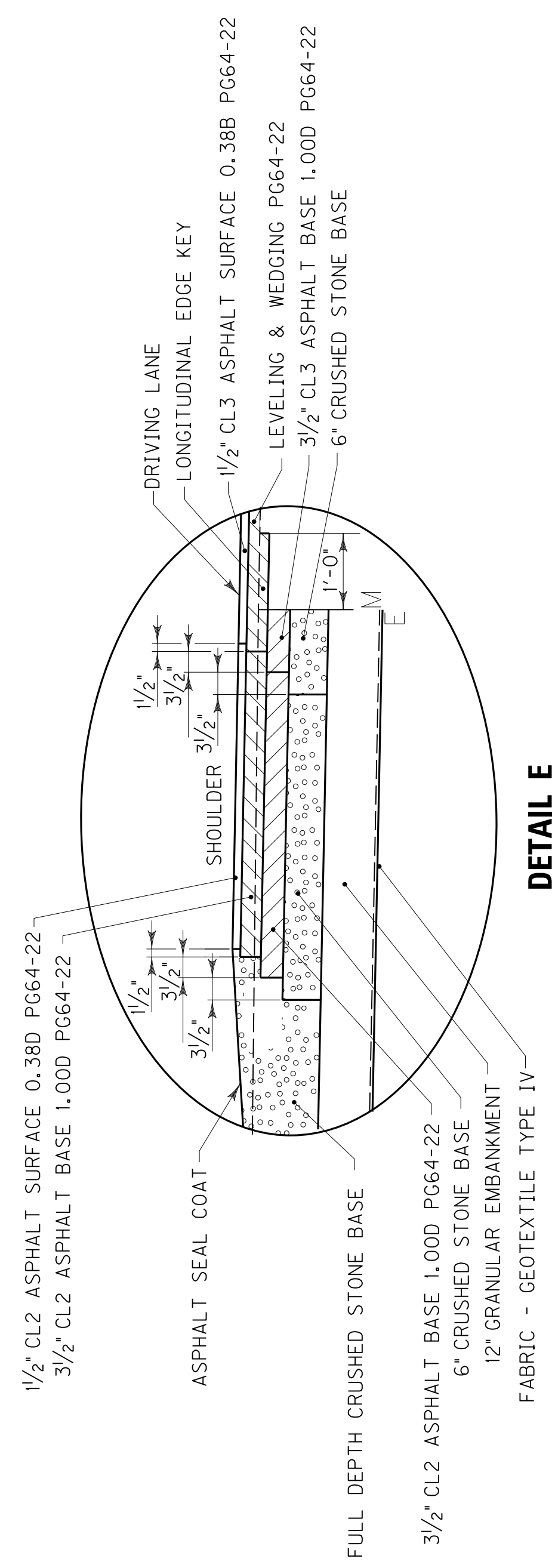
OVERLAY & BASE WIDENING
(SEE CROSS SECTIONS FOR LOCATIONS)

EXISTING RAMP



NORMAL SECTION

OVERLAY & BASE WIDENING
(SEE CROSS SECTIONS FOR LOCATIONS)



- ① 4' Paved Shoulder Without Guardrail
6' Paved Shoulder With Guardrail
- ② 6' Paved Shoulder Without Guardrail
8' Paved Shoulder With Guardrail
- ③ Widen Shoulder 3' For Guardrail
- ④ Asphalt Seal Coat Required from the Outside Edge of the Paved Shoulder to a Point 2' Down the Ditch or Fill Slope. Two (2) Applications at the Rate of:
2.40 lbs/SY Item 103 Asphalt Seal Coat
20 lbs/SY Item 100 Asphalt Seal Aggregate (Size No 8 or 9MM)
- ⑤ See cross sections for slopes outside the limits of the shoulder.

NEW CONSTRUCTION GRADE, DRAIN & FLEXIBLE PAVEMENT



INTERSTATE 75 AND RAMPS DRIVING LANE - OVERLAY

APPROXIMATELY BASE [1/2" ASHALT MILLING AND TEXTURING*
LEVELING & WEDGING PG64-22 *

APPROXIMATELY 1/2" SURFACE [1/2" CL3 ASPHALT SURFACE 0.388 PG64-22
*AS REQUIRED

INTERSTATE 75 AND RAMPS SHOULDER - OVERLAY

APPROXIMATELY BASE [1/2" ASHALT MILLING AND TEXTURING*
LEVELING & WEDGING PG64-22 *

APPROXIMATELY 1/2" SURFACE [1/2" CL2 ASPHALT SURFACE 0.388 PG64-22
*AS REQUIRED

INTERSTATE 75 AND RAMPS DRIVING LANES - BASE WIDENING

12" ROCK ROADBED [12" GRANULAR EMBANKMENT
FABRIC - GEOTEXTILE TYPE IV

APPROXIMATELY 13" BASE [6" CRUSHED STONE BASE
3/2" CL3 ASPHALT BASE 1.000 PG64-22
3/2" CL3 ASPHALT BASE 1.000 PG64-22

APPROXIMATELY 1/2" SURFACE [1/2" CL3 ASPHALT SURFACE 0.388 PG64-22

INTERSTATE 75 AND RAMPS SHOULDER - BASE WIDENING

12" ROCK ROADBED [12" GRANULAR EMBANKMENT
FABRIC - GEOTEXTILE TYPE IV

APPROXIMATELY 13" BASE [6" CRUSHED STONE BASE
3/2" CL2 ASPHALT BASE 1.000 PG64-22
3/2" CL2 ASPHALT BASE 1.000 PG64-22

APPROXIMATELY 1/2" SURFACE [1/2" CL2 ASPHALT SURFACE 0.388 PG64-22

SCALE: 1"=

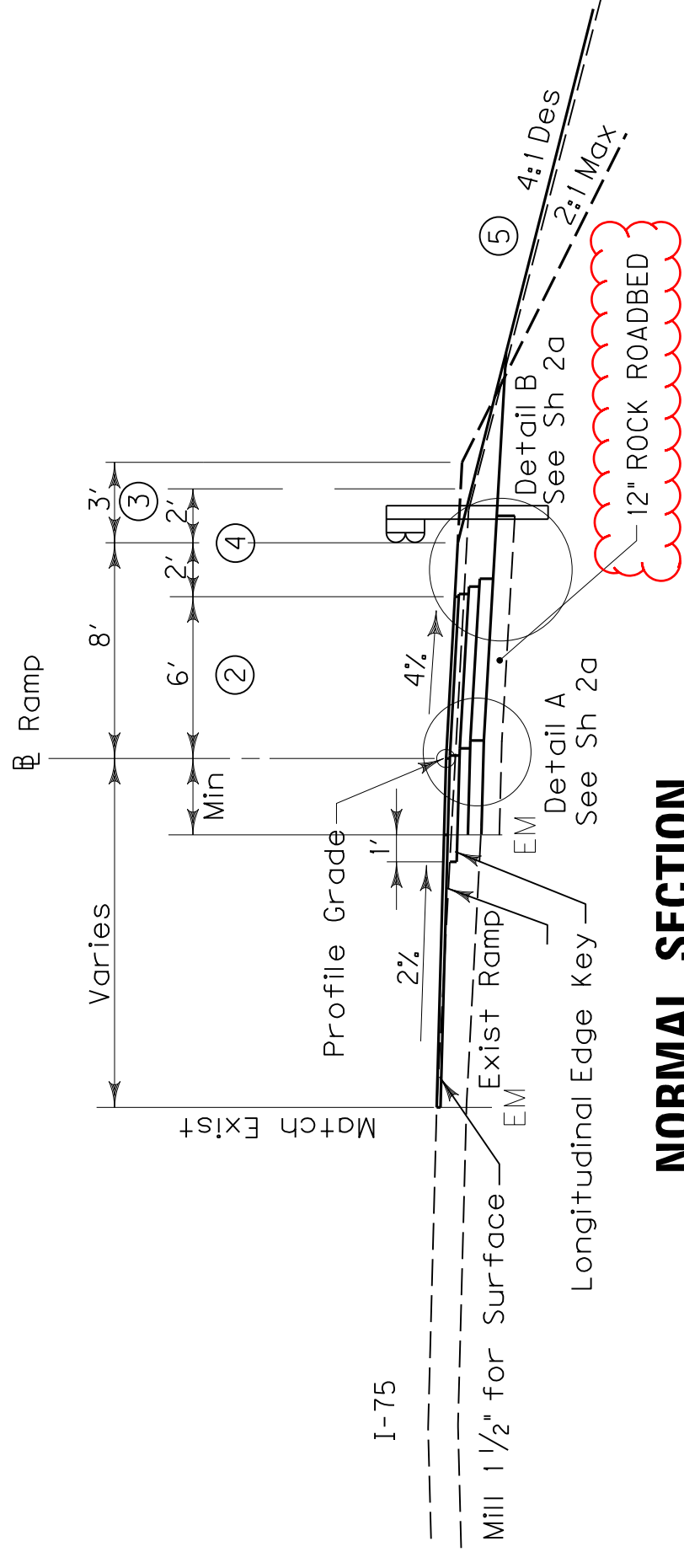
RAMPS
TYPICAL SECTIONS

TYPICAL SECTIONS

COUNTY OF	ITEM NO.	SHEET NO.
MADISON	7-8403	R2d

RAMPS

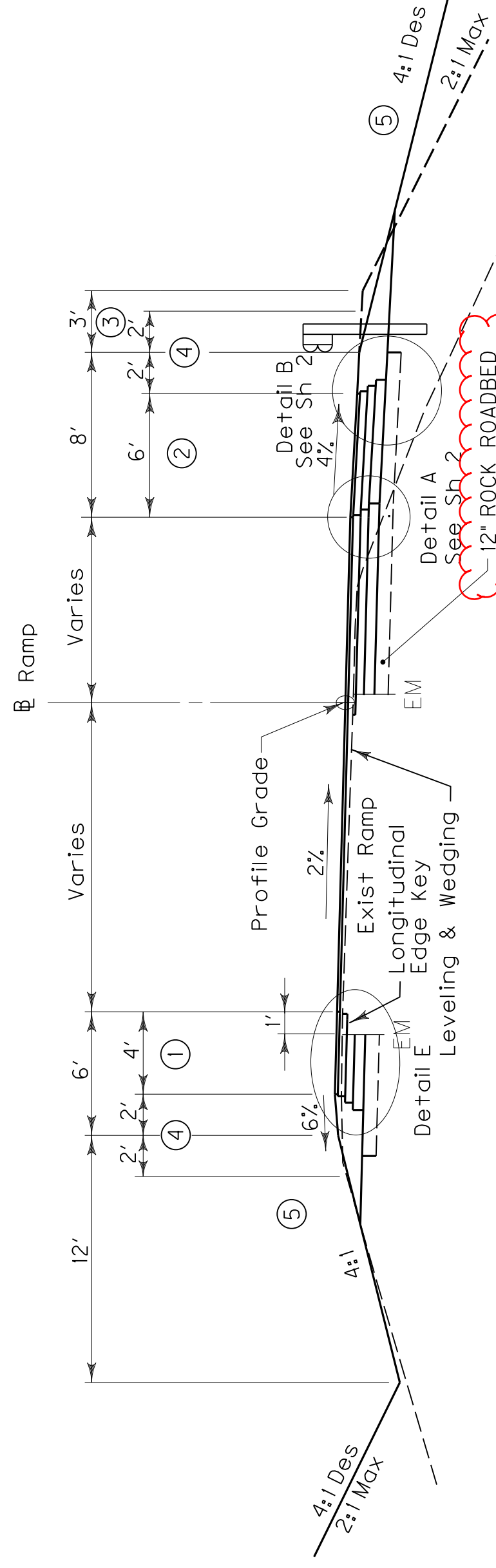
I-75 Taper



NORMAL SECTION

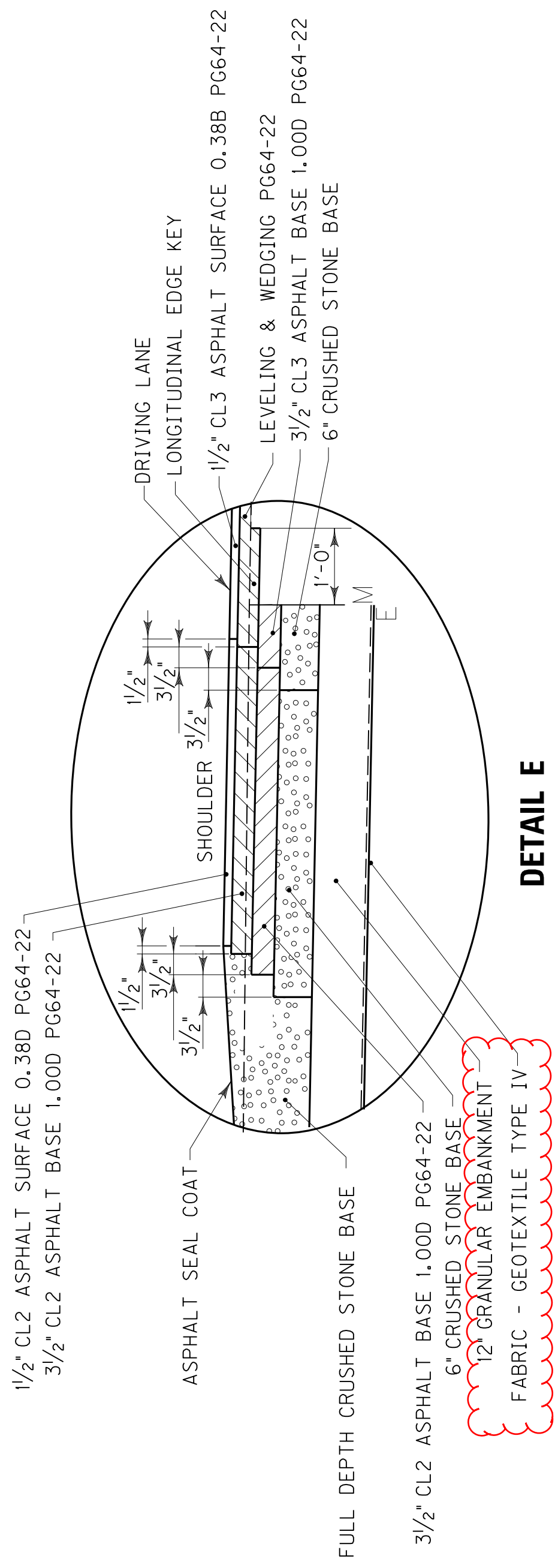
OVERLAY & BASE WIDENING
(SEE CROSS SECTIONS FOR LOCATIONS)

EXISTING RAMP



NORMAL SECTION

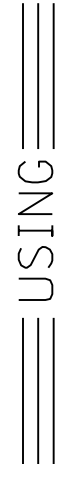
OVERLAY & BASE WIDENING
(SEE CROSS SECTIONS FOR LOCATIONS)



- ① 4' Paved Shoulder Without Guardrail
6' Paved Shoulder With Guardrail
- ② 6' Paved Shoulder Without Guardrail
8' Paved Shoulder With Guardrail
- ③ Widen Shoulder 3' For Guardrail
- ④ Asphalt Seal Coat Required from the Outside Edge of the Paved Shoulder to a Point 2' Down the Ditch or Fill Slope. Two (2) Applications at the Rate of:
2.40 lbs/SY Item 103 Asphalt Seal Coat
20 lbs/SY Item 100 Asphalt Seal Aggregate (Size No 8 or 9MM)
- ⑤ See cross sections for slopes outside the limits of the shoulder

REVISED 2-18-19

NEW CONSTRUCTION GRADE, DRAIN & FLEXIBLE PAVEMENT



INTERSTATE 75 AND RAMPS DRIVING LANE - OVERLAY

APPROXIMATELY BASE [1/2" ASHALT MILLING AND TEXTURING*
LEVELING & WEDGING PG64-22 *

APPROXIMATELY 1/2" SURFACE [1/2" CL3 ASPHALT SURFACE 0.388 PG64-22
*AS REQUIRED

INTERSTATE 75 AND RAMPS SHOULDER - OVERLAY

APPROXIMATELY BASE [1/2" ASHALT MILLING AND TEXTURING*
LEVELING & WEDGING PG64-22 *

APPROXIMATELY 1/2" SURFACE [1/2" CL2 ASPHALT SURFACE 0.388 PG64-22
*AS REQUIRED

INTERSTATE 75 AND RAMPS DRIVING LANES - BASE WIDENING

12" ROCK ROADBED [12" GRANULAR EMBANKMENT
FABRIC - GEOTEXTILE TYPE IV

APPROXIMATELY 13" BASE [6" CRUSHED STONE BASE
3/2" CL3 ASPHALT BASE 1.000 PG64-22
3/2" CL3 ASPHALT BASE 1.000 PG64-22

APPROXIMATELY 1/2" SURFACE [1/2" CL3 ASPHALT SURFACE 0.388 PG64-22

INTERSTATE 75 AND RAMPS SHOULDER - BASE WIDENING

12" ROCK ROADBED [12" GRANULAR EMBANKMENT
FABRIC - GEOTEXTILE TYPE IV

APPROXIMATELY 13" BASE [6" CRUSHED STONE BASE
3/2" CL2 ASPHALT BASE 1.000 PG64-22
3/2" CL2 ASPHALT BASE 1.000 PG64-22

APPROXIMATELY 1/2" SURFACE [1/2" CL2 ASPHALT SURFACE 0.388 PG64-22

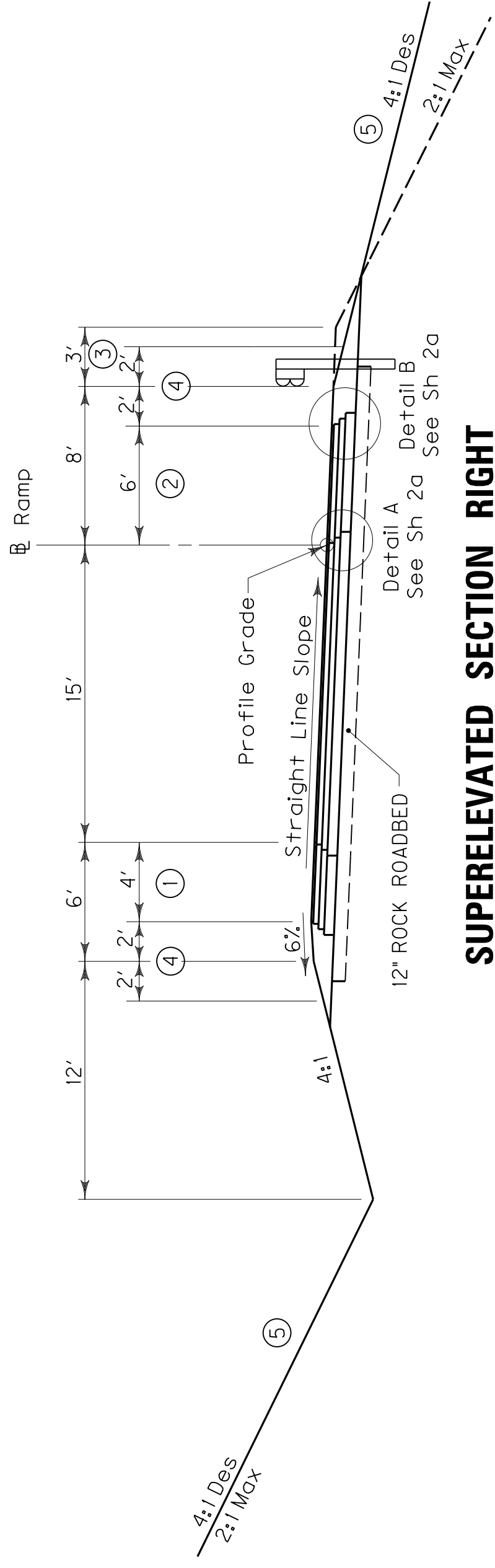
SCALE: 1"=

RAMPS
TYPICAL SECTIONS

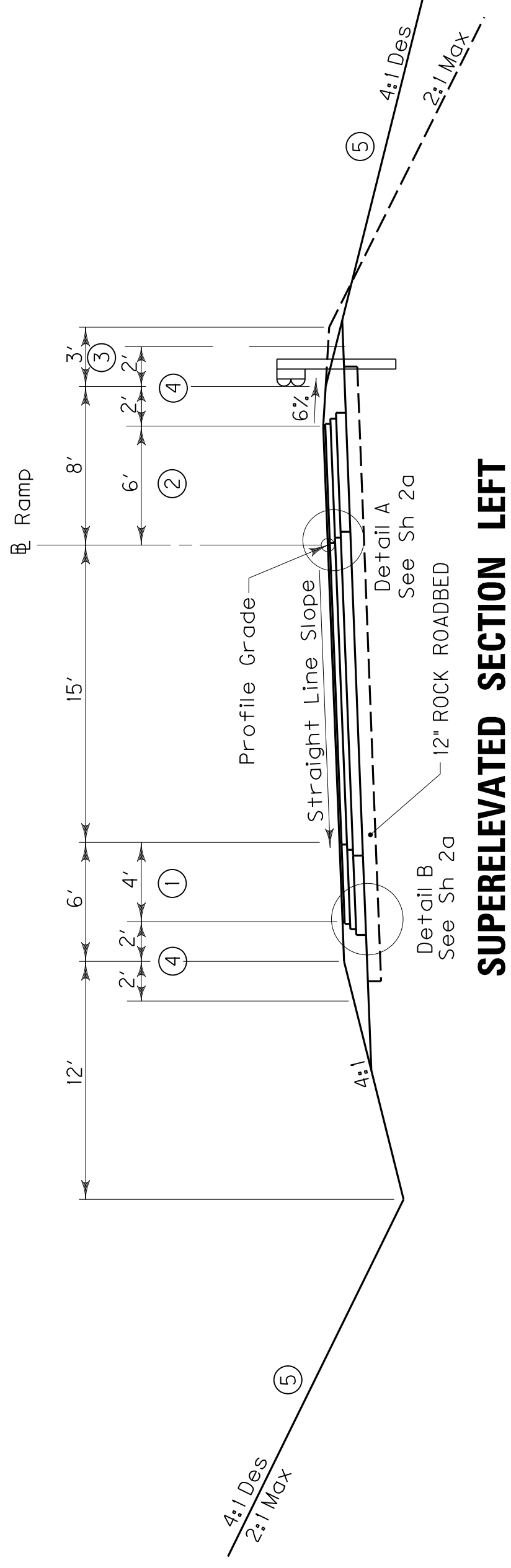
TYPICAL SECTIONS

RAMPS

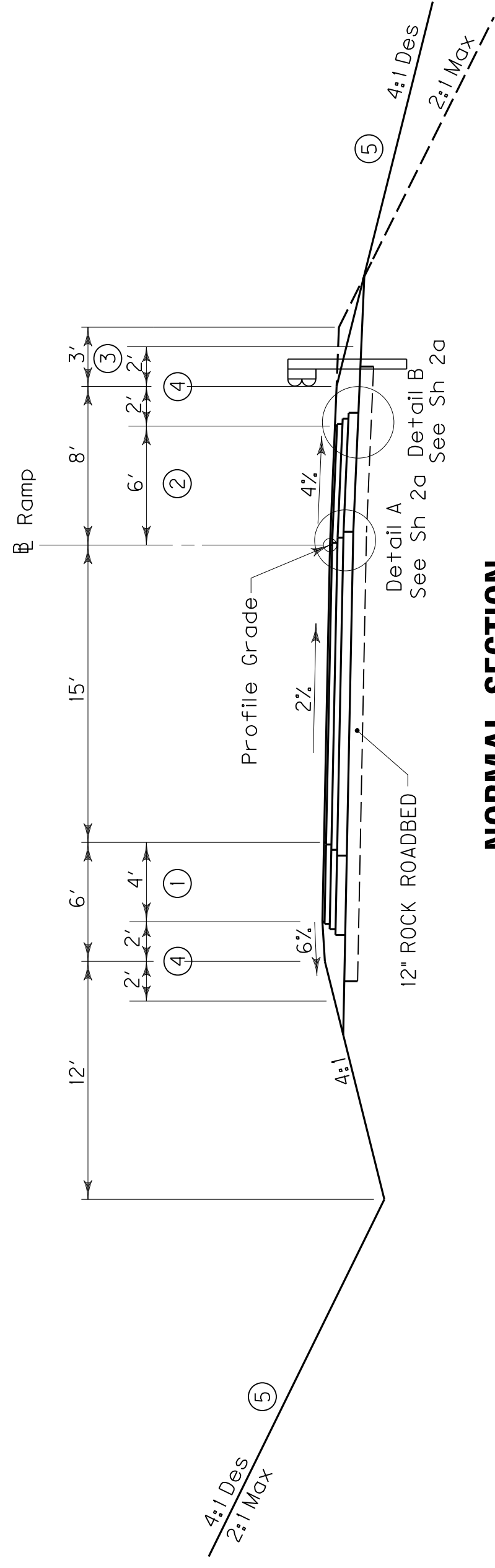
FULL DEPTH



SUPERELEVATED SECTION RIGHT



SUPERELEVATED SECTION LEFT



NORMAL SECTION

(SEE CROSS SECTIONS FOR LOCATIONS)

- ① 4' Paved Shoulder Without Guardrail
- ② 6' Paved Shoulder With Guardrail
- ③ 8' Paved Shoulder Without Guardrail
- ④ 8' Paved Shoulder With Guardrail
- ⑤ Widen Shoulder 3' For Guardrail
- ⑥ Asphalt Seal Coat Required from the Outside Edge of the Paved Shoulder to a Point 2' Down the Ditch or Fill Slope. Two (2) Applications at the rate of:
2.40 lbs/SY Item 103 Asphalt Seal Coat
20 lbs/SY Item 100 Asphalt Seal Aggregate (Size No 8 or 9MM)
- ⑦ See cross sections for slopes outside the limits of the shoulder

NEW CONSTRUCTION
GRADE, DRAIN & FLEXIBLE PAVEMENT

USING

DRIVING LANES

- 12" ROCK ROADBED..... [12" GRANULAR EMBANKMENT FABRIC - GEOTEXTILE TYPE IV]
- APPROXIMATELY 1 1/2" BASE..... [6" CRUSHED STONE BASE
3 1/2" CL3 ASPHALT BASE 1,000 PG64-22
3 1/2" CL3 ASPHALT BASE 1,000 PG64-22]
- APPROXIMATELY 1 1/2" SURFACE..... [1 1/2" CL3 ASPHALT SURFACE 0.38B PG64-22]

SHOULDERS

- 12" ROCK ROADBED..... [12" GRANULAR EMBANKMENT FABRIC - GEOTEXTILE TYPE IV]
- APPROXIMATELY 1 1/2" BASE..... [6" CRUSHED STONE BASE
3 1/2" CL2 ASPHALT BASE 1,000 PG64-22
3 1/2" CL2 ASPHALT BASE 1,000 PG64-22]
- APPROXIMATELY 1 1/2" SURFACE..... [1 1/2" CL2 ASPHALT SURFACE 0.38B PG64-22]

COUNTY OF	ITEM NO.	SHEET NO.
MADISON	7-8403	R2e

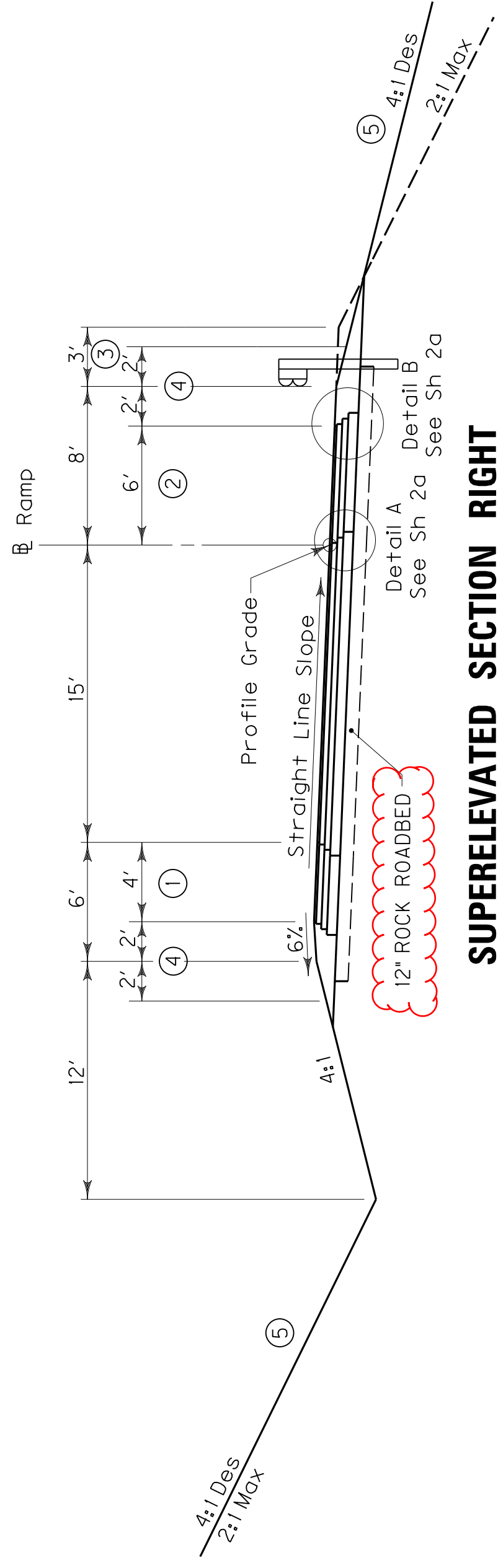
SCALE: 1"=

RAMPS
TYPICAL SECTIONS

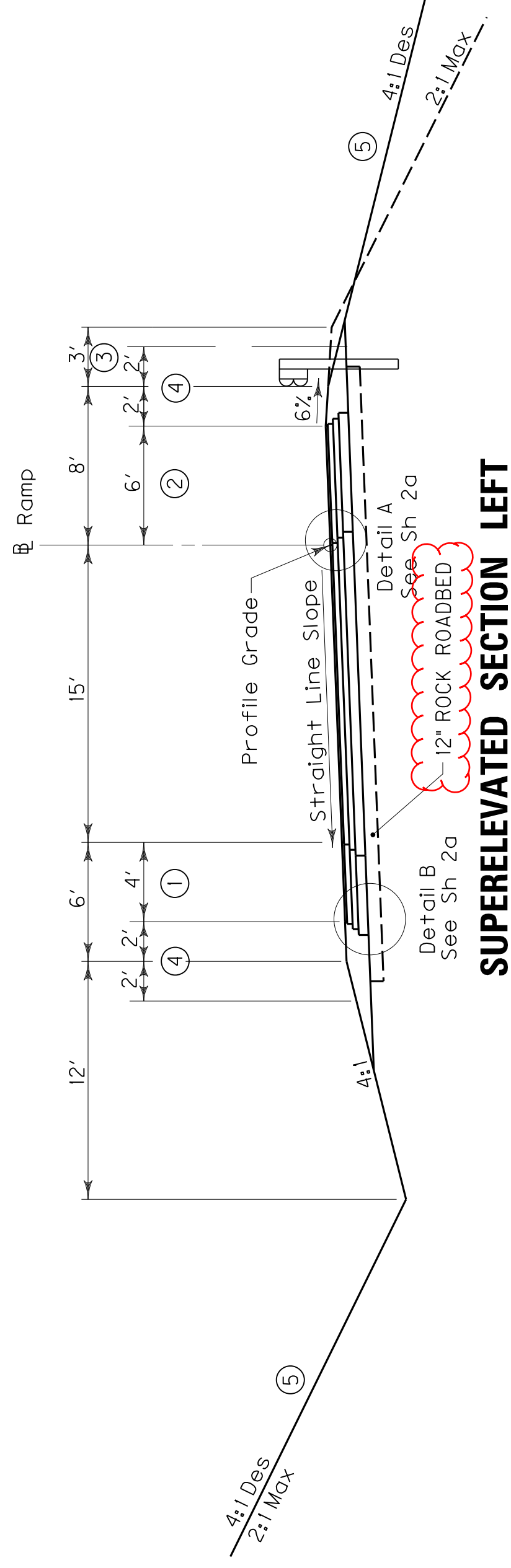
TYPICAL SECTIONS

RAMPS

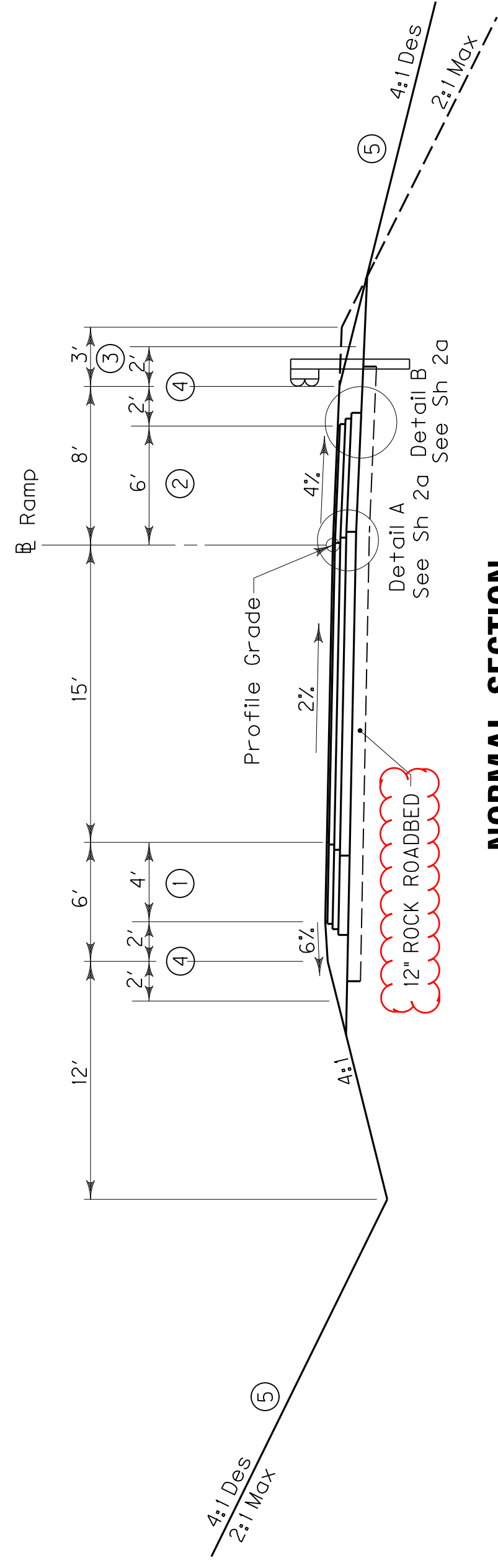
FULL DEPTH



SUPERELEVATED SECTION RIGHT



SUPERELEVATED SECTION LEFT



NORMAL SECTION

(SEE CROSS SECTIONS FOR LOCATIONS)

- ① 4' Paved Shoulder Without Guardrail
- ② 6' Paved Shoulder With Guardrail
- ③ 8' Paved Shoulder Without Guardrail
- ④ Widen Shoulder 3' For Guardrail
- ⑤ Asphalt Seal Coat Required from the Outside Edge of the Paved Shoulder to a Point 2' Down the Ditch or Fill Slope. Two (2) Applications at the rate of:
2.40 lbs/SY Item 103 Asphalt Seal Coat
20 lbs/SY Item 100 Asphalt Seal Aggregate (Size No 8 or 9MM)
- ⑥ See cross sections for slopes outside the limits of the shoulder

NEW CONSTRUCTION
GRADE, DRAIN & FLEXIBLE PAVEMENT

USING

DRIVING LANES

12" ROCK ROADBED 12" GRANULAR EMBANKMENT FABRIC - GEOTEXTILE TYPE IV

APPROXIMATELY 1 1/2" BASE 6" CRUSHED STONE BASE
3 1/2" CL3 ASPHALT BASE 1.00D PG64-22
3 1/2" CL3 ASPHALT BASE 1.00D PG64-22

APPROXIMATELY 1 1/2" SURFACE 1 1/2" CL3 ASPHALT SURFACE 0.38B PG64-22

SHOULDERS

12" ROCK ROADBED 12" GRANULAR EMBANKMENT FABRIC - GEOTEXTILE TYPE IV

APPROXIMATELY 1 1/2" BASE 6" CRUSHED STONE BASE
3 1/2" CL2 ASPHALT BASE 1.00D PG64-22
3 1/2" CL2 ASPHALT BASE 1.00D PG64-22

APPROXIMATELY 1 1/2" SURFACE 1 1/2" CL2 ASPHALT SURFACE 0.38B PG64-22

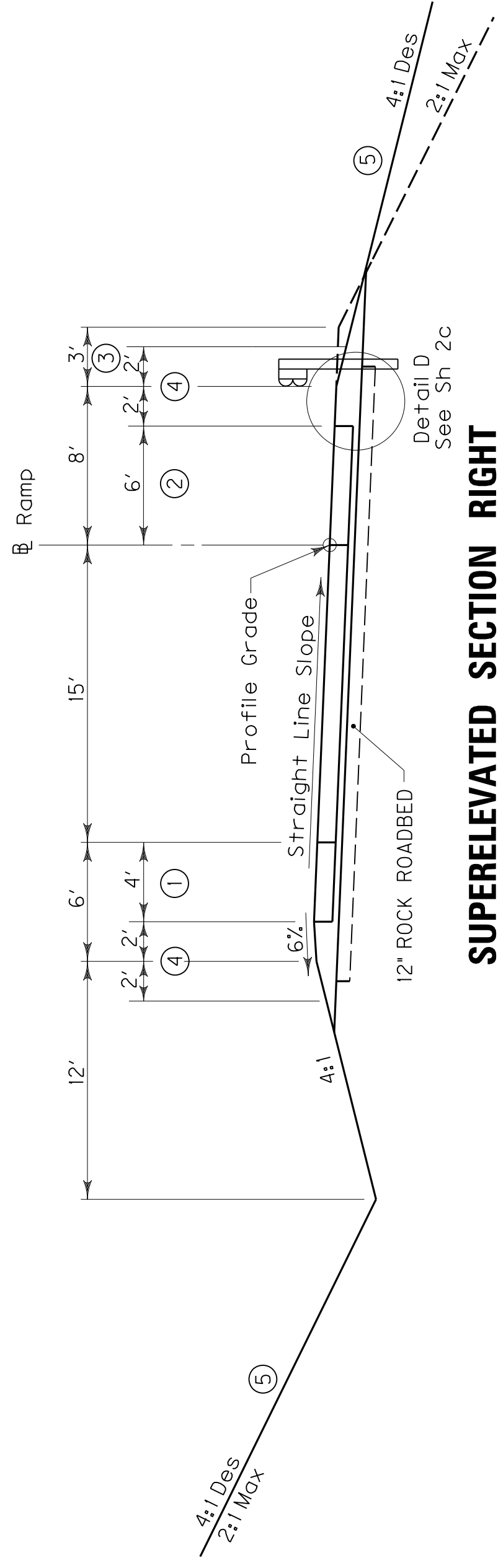
COUNTY OF	ITEM NO.	SHEET NO.
MADISON	7-8403	R2e

REVISED 2-18-19

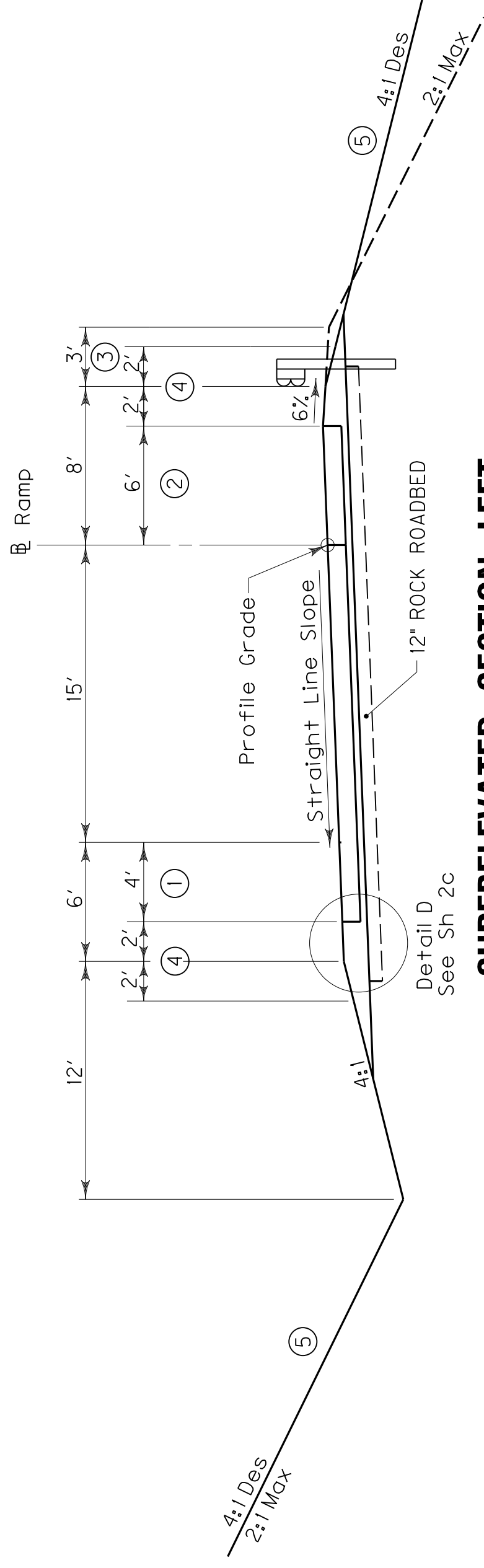
TYPICAL SECTIONS

RAMPS

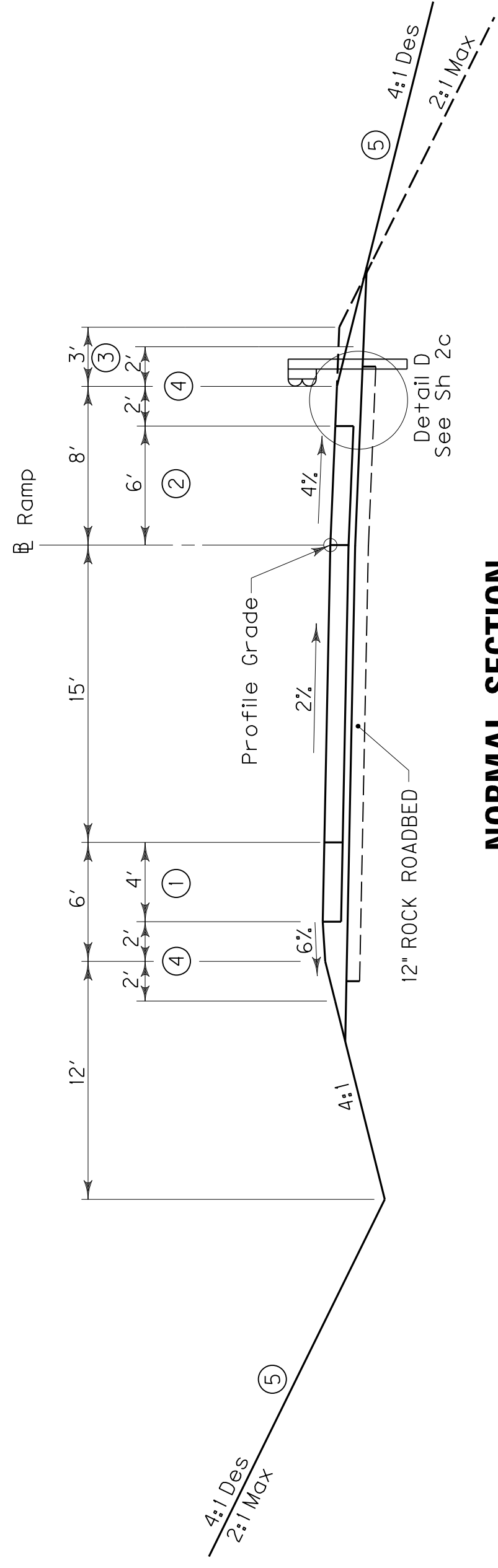
FULL DEPTH



SUPERELEVATED SECTION RIGHT



SUPERELEVATED SECTION LEFT



NORMAL SECTION

(SEE CROSS SECTIONS FOR LOCATIONS)

- ① 4' Paved Shoulder Without Guardrail
- ② 6' Paved Shoulder With Guardrail
- ③ 8' Paved Shoulder Without Guardrail
- ④ 4' Paved Shoulder With Guardrail
- ⑤ Widen Shoulder 3' For Guardrail
- ⑥ Asphalt Seal Coat Required from the Outside Edge of the Paved Shoulder to a Point 2' Down the Ditch or Fill Slope. Two (2) Applications at the rate of:
2.40 lbs/SY Item 103 Asphalt Seal Coat
20 lbs/SY Item 100 Asphalt Seal Aggregate (Size No 8 or 9MM)
- ⑦ See cross sections for slopes outside the limits of the shoulder

NEW CONSTRUCTION
GRADE, DRAIN & RIGID PAVEMENT

USING

DRIVING LANES

12" ROCK ROADBED [12" GRANULAR EMBANKMENT FABRIC - GEOTEXTILE TYPE IV]

APPROX 4" BASE [4" CRUSHED STONE BASE]

APPROX 11" SURF [JPC PAVEMENT - 11 INCH]

SHOULDERS

12" ROCK ROADBED [12" GRANULAR EMBANKMENT FABRIC - GEOTEXTILE TYPE IV]

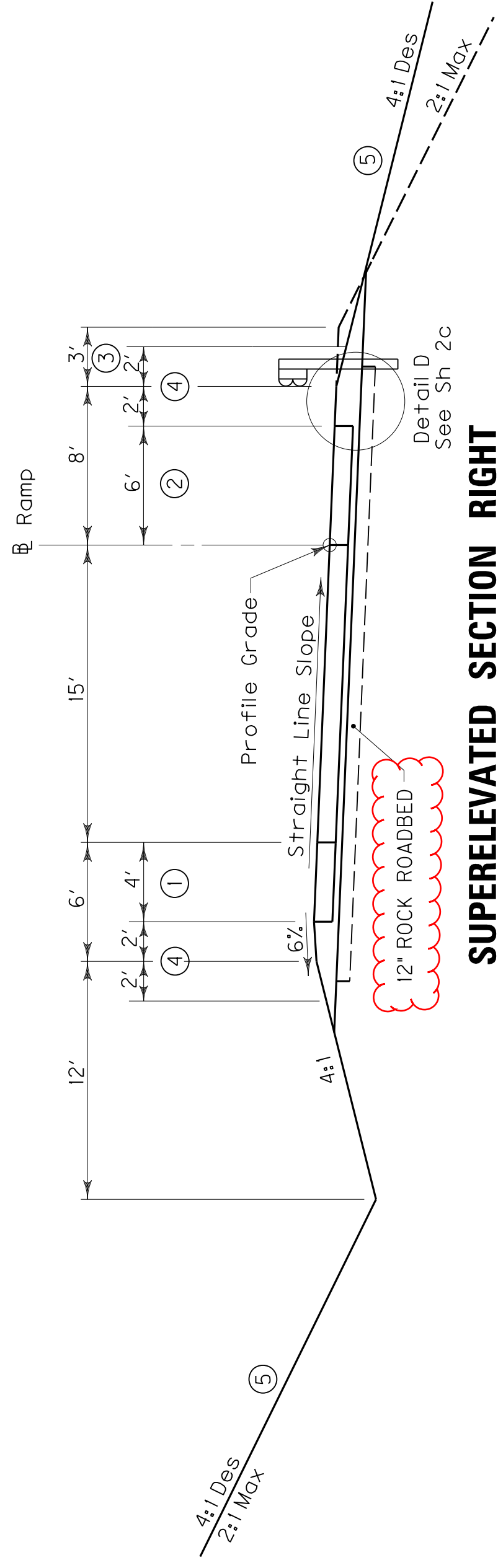
APPROX 4" BASE [4" CRUSHED STONE BASE]

APPROX 11" SURF [JPC PAVEMENT - 11 INCH]

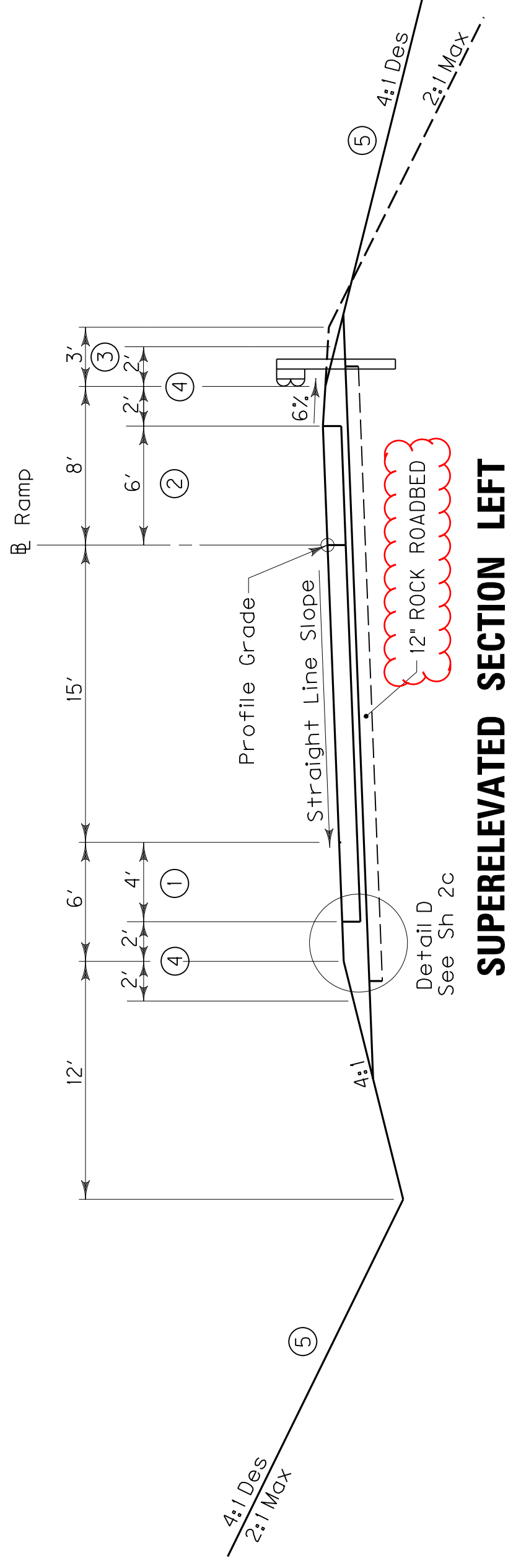
TYPICAL SECTIONS

RAMPS

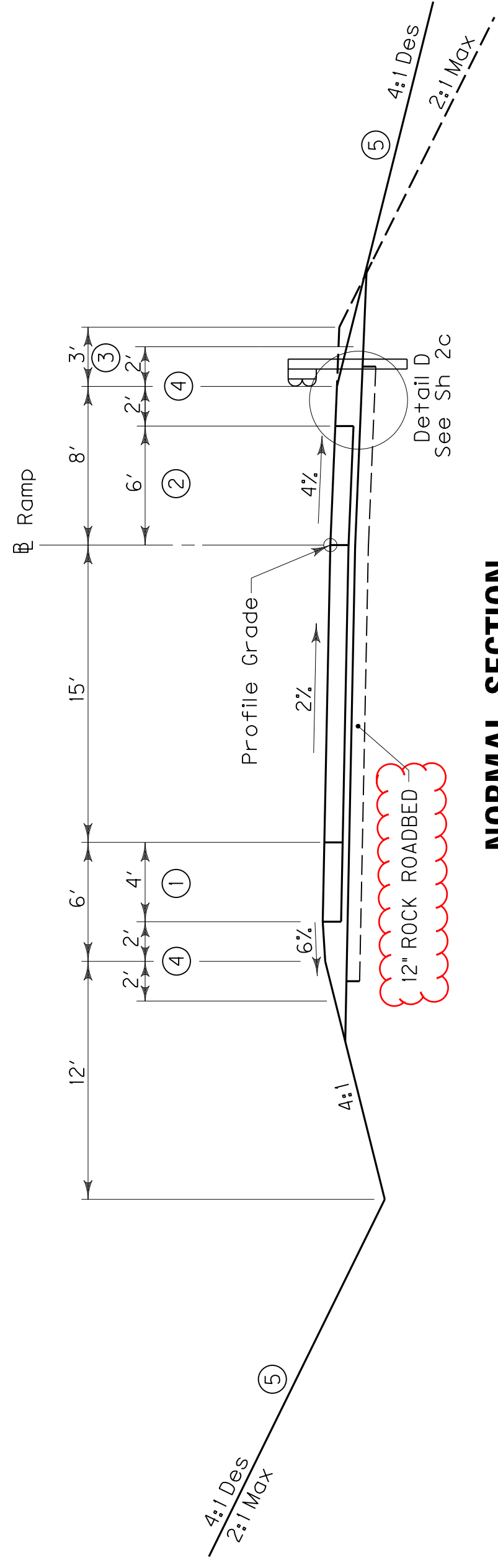
FULL DEPTH



SUPERELEVATED SECTION RIGHT



SUPERELEVATED SECTION LEFT



NORMAL SECTION

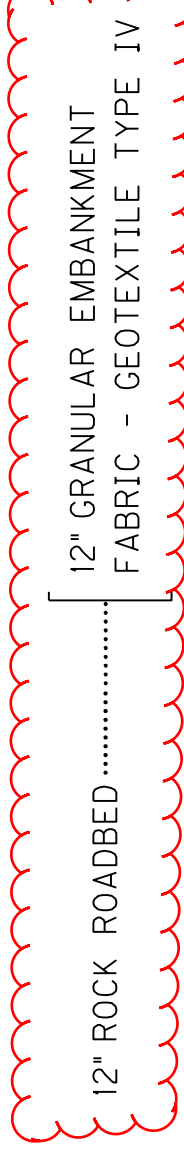
(SEE CROSS SECTIONS FOR LOCATIONS)

- ① 4' Paved Shoulder Without Guardrail
- ② 6' Paved Shoulder Without Guardrail
- ③ 8' Paved Shoulder Without Guardrail
- ④ Widen Shoulder 3' For Guardrail
- ⑤ Asphalt Seal Coat Required from the Outside Edge of the Paved Shoulder to a Point 2' Down the Ditch or Fill Slope. Two (2) Applications at the rate of:
2.40 lbs/SY Item 103 Asphalt Seal Coat
20 lbs/SY Item 100 Asphalt Seal Aggregate (Size No 8 or 9MM)
- ⑥ See cross sections for slopes outside the limits of the shoulder

NEW CONSTRUCTION
GRADE, DRAIN & RIGID PAVEMENT

USING

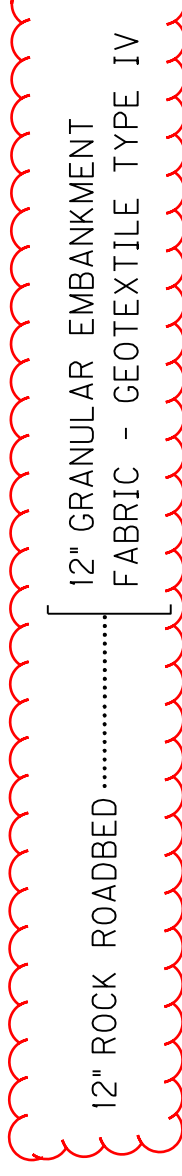
DRIVING LANES



APPROX 4" BASE [4" CRUSHED STONE BASE

APPROX 11" SURF [JPC PAVEMENT - 11 INCH

SHOULDERS



APPROX 4" BASE [4" CRUSHED STONE BASE

APPROX 11" SURF [JPC PAVEMENT - 11 INCH

COUNTY OF	ITEM NO.	SHEET NO.
MADISON	7-8403	R2f

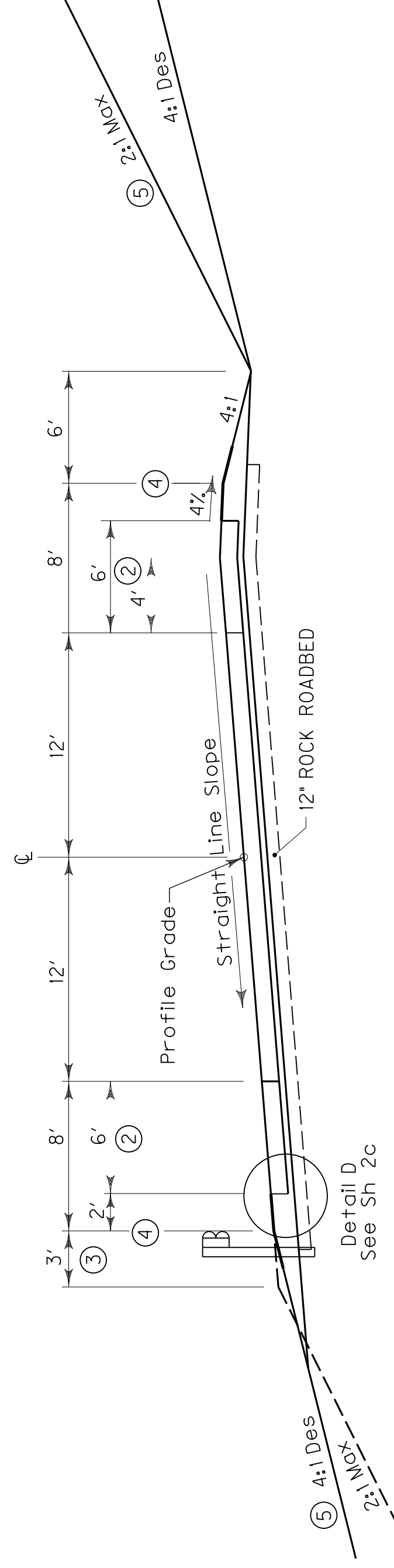
REVISED 2-18-19

TYPICAL SECTIONS

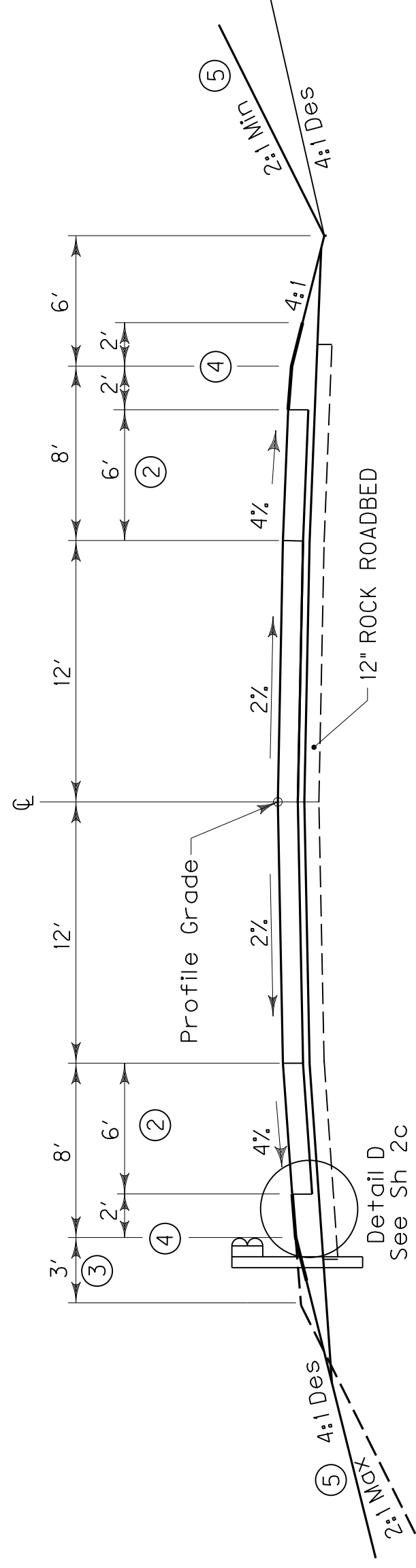
COLONEL ROAD

STA 22+82 to STA 35+04.9

- ② 6' Paved Shoulder Without Guardrail
- ③ 8' Paved Shoulder With Guardrail
- ④ Widen Shoulder 3' For Guardrail
- ⑤ Asphalt Seal Coat Required from the Outside Edge of the Paved Shoulder to a Point 2' Down the Ditch or Fill Slope. Two (2) Applications at the Rate of:
2.40 lbs/SY Item 103 Asphalt Seal Coat
20 lbs/SY Item 100 Asphalt Seal Aggregate (Size No 8 or 9MM)
- ⑥ See cross sections for slopes outside the limits of the shoulder



SUPERELEVATED SECTION



NORMAL SECTION

NEW CONSTRUCTION GRADE, DRAIN & FLEXIBLE PAVEMENT



12" ROCK ROADBED [12" GRANULAR EMBANKMENT FABRIC - GEOTEXTILE TYPE IV]

APPROX 4" BASE [4" CRUSHED STONE BASE]

APPROX 11" SURF [JPC PAVEMENT - 11 INCH]

SHOULDERS

12" ROCK ROADBED [12" GRANULAR EMBANKMENT FABRIC - GEOTEXTILE TYPE IV]

APPROX 4" BASE [4" CRUSHED STONE BASE]

APPROX 11" SURF [JPC PAVEMENT - 11 INCH]

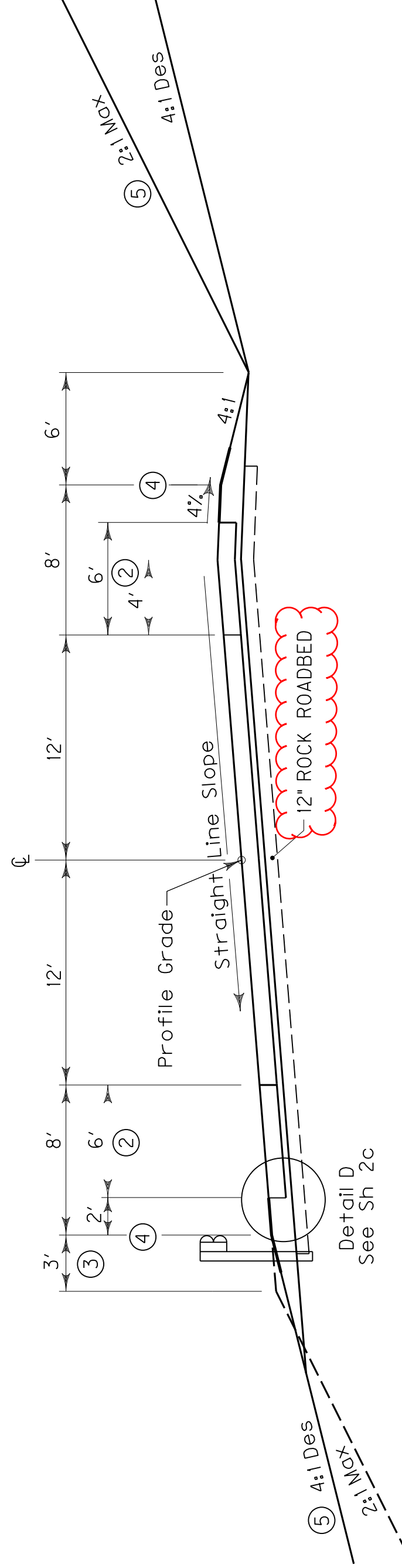
COUNTY OF	ITEM NO.	SHEET NO.
MADISON	7-8403	R2h

TYPICAL SECTIONS

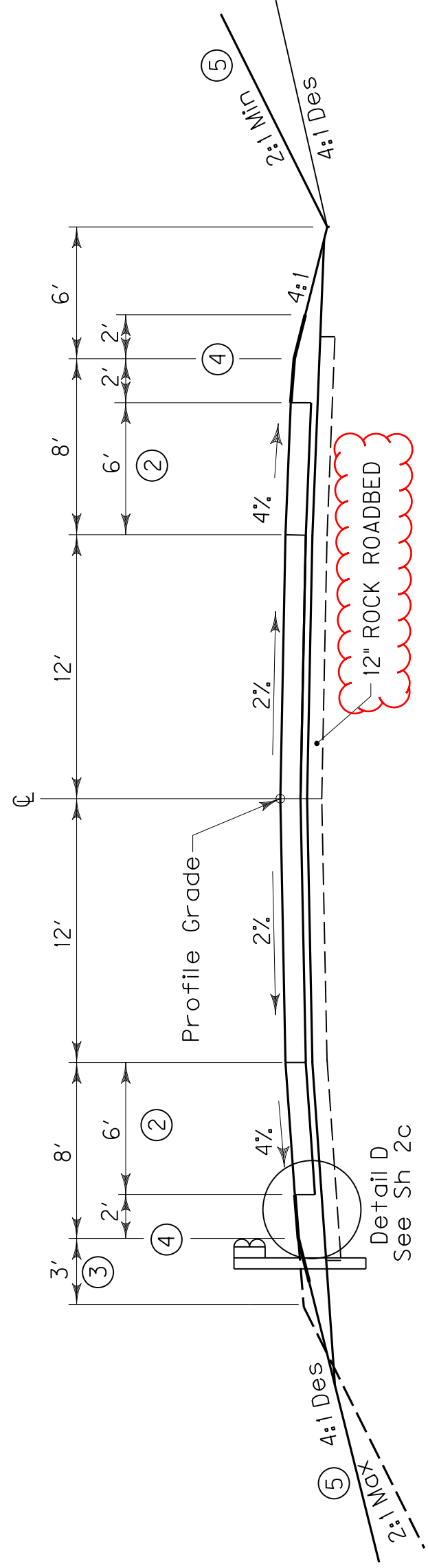
COLONEL ROAD

STA 22+82 to STA 35+04.9

- ② 6' Paved Shoulder Without Guardrail
- ③ 8' Paved Shoulder With Guardrail
- ④ Widen Shoulder 3' For Guardrail
- ⑤ Asphalt Seal Coat Required from the Outside Edge of the Paved Shoulder to a Point 2' Down the Ditch or Fill Slope. Two (2) Applications at the Rate of:
2.40 lbs./SY Item 103 Asphalt Seal Coat
20 lbs./SY Item 100 Asphalt Seal Aggregate (Size No 8 or 9MM)
- ⑥ See cross sections for slopes outside the limits of the shoulder

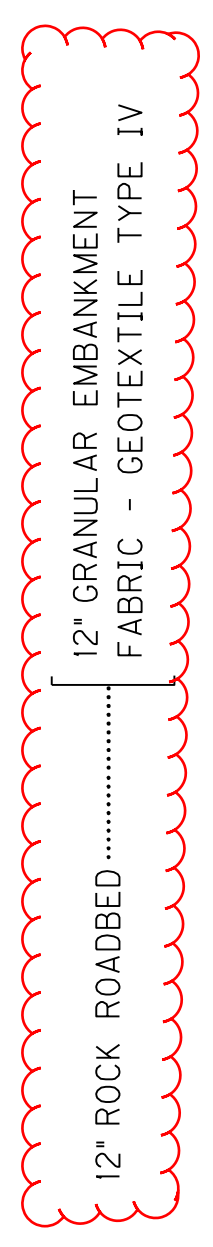


SUPERELEVATED SECTION



NORMAL SECTION

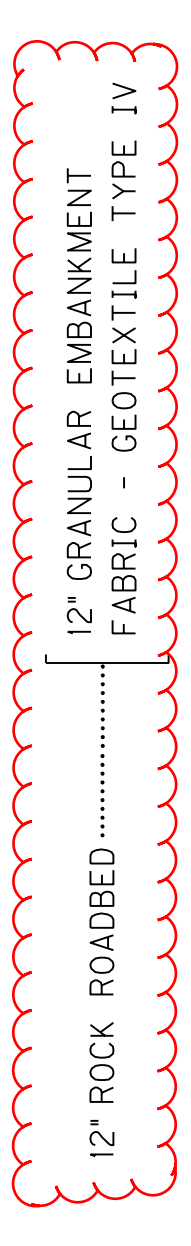
NEW CONSTRUCTION GRADE, DRAIN & FLEXIBLE PAVEMENT



APPROX 4" BASE [4" CRUSHED STONE BASE

APPROX 11" SURF [JPC PAVEMENT - 11 INCH

SHOULDERS



APPROX 4" BASE [4" CRUSHED STONE BASE

APPROX 11" SURF [JPC PAVEMENT - 11 INCH

COUNTY OF	ITEM NO.	SHEET NO.
MADISON	7-8403	R2h

REVISED 2-18-19

ITEM CODE	ITEM	UNIT	TOTAL PROJECT
3	CRUSHED STONE BASE	TON	29366
20	TRAFFIC BOUND BASE	TON	29
100	ASPHALT SEAL AGGREGATE	TON	188
103	ASPHALT SEAL COAT	TON	23
190	LEVELING & WEDGING PG64-22	TON	248
212	CL2 ASPHALT BASE 1,00D PG64-22	TON	3160
214	CL3 ASPHALT BASE 1,00D PG64-22	TON	7897
301	CL2 ASPHALT SURFACE 0.38D PG64-22	TON	897
356	ASPHALT MATERIAL FOR TACK	TON	8.3
388	CL3 ASPHALT SURFACE 0.38B PG64-22	TON	2512
2071	11" JPC PAVEMENT	SO YD	33189
2223	GRANULAR EMBANKMENT	CU YD	13825
2599	FABRIC - GEOTEXTILE TYPE IV	SO YD	44375
2677	ASPH PAVE MILLING & TEXTURING	TON	668
20071EC	JOINT ADHESIVE	LIN FT	26880
21289ED	LONGITUDINAL EDGE KEY	LIN FT	14420

NOTES

- ① ALL ASHALT MIXTURES SHALL BE ESTIMATED AT 110 LBS. PER SQ. YD. PER INCH OF DEPTH, UNLESS NOTED OTHERWISE.
- ② ESTIMATED AT 100 LBS. PER SQ. YD. PER INCH OF DEPTH.
- ③ ESTIMATED AT 95 LBS. PER SQ. YD. PER INCH OF DEPTH.
- ④ QUANTITIES SHOWN INCLUDE RAMP B1, RAMP D1, AND TO BACK OF RETURNS FOR US 25, RAMPS(ABCD) AND FRONTAGE ROAD
- ⑤ QUANTITY SHOWN IS IN CUBIC YARDS
- ⑥ ESTIMATED AT 0.4LBS PER SQ. YD. BETWEEN THE TOP BASE AND SURFACE COURSES.

PAVING SUMMARY

ITEM	PAVING AREAS													TOTAL PROJECT
	S	Q	U	A	R	E	Y	A	R	D	S			
1/2" CL3 ASPHALT SURFACE 0.38B PG64-22	5200	347	2436	2519	2461	2326	3540	5516	1883	2040	3036	182	30449	
1/2" CL2 ASPHALT BASE 1,00D PG64-22	1443	129	1448	1713	1449	1485							10877	
3/2" CL3 ASPHALT BASE 1,00D PG64-22	4632	136	2102	675	2516	420	7235	11474	3851	4163			41024	
3/2" CL2 ASPHALT BASE 1,00D PG64-22	2630	258	2772	2478	2872	1922				407			13339	
4" CL2 ASPHALT BASE 1,00D PG64-22										1990			1990	
2" CL2 ASPHALT BASE 1,00D PG64-22				138	196					1068			1402	
11" JPC PAVEMENT	17187		2588	2314	2442	3131	5527						33189	
4" CRUSHED STONE BASE	17404		2588	2314	2442	3131	5560			1084			34523	
6" CRUSHED STONE BASE	3739	210	2377	1683	2649	1322					225	1809	14014	
8" CRUSHED STONE BASE	490				3743	5935		1994	2153				13825	
9" CRUSHED STONE BASE (APPR SLAB)										2018			2508	
11" CRUSHED STONE BASE (BARR MED TY 1)	119												119	
FULL DEPTH CRUSHED STONE BASE (SHOULDER) (1-75 Med)	1166	47	627	503	601	607	676				52		4279	
4" TRAFFIC BOUND BASE (ENTRANCE)										151			151	
12" GRANULAR EMBANKMENT	23573	277	3234	2489	3596	2047	6259						41475	
FABRIC - GEOTEXTILE TYPE IV	23573	277	3234	2489	3596	2047	6259						41475	
ASPHALT SEAL COAT (2.4 LBS/SY)	5600	234	2662	2810	2842	2786	1906						18840	
ASPHALT SEAL AGGREGATE	5600	234	2662	2810	2842	2786	1906						18840	
JOINT ADHESIVE (LIN FT)	4900	400	3910	4500	3660	5070	1280	2100	400	660			26880	
ASPH PAVE MILLING & TEXTURING (Approx 1.5")	954	215	1198	589	350	579							3885	
LONGITUDINAL EDGE KEY (Length)	1964	264	2761	2167	2513	1569					3182		14420	
LEVELING & WEDGING PG64-22 (Approx 0.5")	3180	144	799	1178	1401	2314							9016	

REVISED 2-18-19

ITEM CODE	ITEM	UNIT	TOTAL PROJECT
3	CRUSHED STONE BASE	TON	29366
20	TRAFFIC BOUND BASE	TON	29
100	ASPHALT SEAL AGGREGATE	TON	188
103	ASPHALT SEAL COAT	TON	23
190	LEVELING & WEDGING PG64-22	TON	248
212	CL2 ASPHALT BASE 1,00D PG64-22	TON	3160
214	CL3 ASPHALT BASE 1,00D PG64-22	TON	7897
301	CL2 ASPHALT SURFACE 0.38D PG64-22	TON	897
356	ASPHALT MATERIAL FOR TACK	TON	8.3
388	CL3 ASPHALT SURFACE 0.38B PG64-22	TON	2512
2071	11" JPC PAVEMENT	SO YD	33189
2223	GRANULAR EMBANKMENT	CU YD	13825
2599	FABRIC - GEOTEXTILE TYPE IV	SO YD	44375
2677	ASPH PAVE MILLING & TEXTURING	TON	668
2007EC	JOINT ADHESIVE	LIN FT	26880
21289ED	LONGITUDINAL EDGE KEY	LIN FT	14420

NOTES

- ① ALL ASPHALT MIXTURES SHALL BE ESTIMATED AT 110 LBS. PER SQ. YD. PER INCH OF DEPTH, UNLESS NOTED OTHERWISE.
- ② ESTIMATED AT 115 LBS. PER SQ. YD. PER INCH OF DEPTH.
- ③ ESTIMATED AT 100 LBS. PER SQ. YD. PER INCH OF DEPTH.
- ④ ESTIMATED AT 95 LBS. PER SQ. YD. PER INCH OF DEPTH.
- ④ QUANTITIES SHOWN INCLUDE RAMP B1, RAMP D1, AND TO BACK OF RETURNS FOR US 25, RAMPS(ABCD) AND FRONTAGE ROAD
- ⑤ QUANTITY SHOWN IS IN CUBIC YARDS
- ⑥ ESTIMATED AT 0.4LBS PER SQ. YD. BETWEEN THE TOP BASE AND SURFACE COURSES.

PAVING SUMMARY

ITEM	Q	U	A	R	E	Y	A	R	D	S
1/2" CL3 ASPHALT SURFACE 0.38B PG64-22	5200	347	2436	2519	2461	2326	3540	5516	1883	2040
1/2" CL2 ASPHALT SURFACE 0.38D PG64-22	1443	129	1448	1713	1449	1485			3036	182
3/2" CL3 ASPHALT BASE 1,00D PG64-22	4632	136	2102	675	2516	420	7235	11474	3851	4163
3/2" CL2 ASPHALT BASE 1,00D PG64-22	2630	258	2772	2478	2872	1922				407
4" CL2 ASPHALT BASE 1,00D PG64-22						196			1990	
2" CL2 ASPHALT BASE 1,00D PG64-22						138			1068	
11" JPC PAVEMENT	17187		2588	2314	2442	3131	5527			33189
4" CRUSHED STONE BASE	17404		2588	2314	2442	3131	5560		1084	34523
6" CRUSHED STONE BASE	3739	210	2377	1683	2649	1322			225	14014
8" CRUSHED STONE BASE	490					3743	5935	1994	2153	13825
9" CRUSHED STONE BASE (APPR SLAB)									2018	2508
11" CRUSHED STONE BASE (BARR MED TY 1)	119									119
FULL DEPTH CRUSHED STONE BASE (SHOULDER) (1-75 Med)	1166	47	627	503	601	607	676		52	4279
4" TRAFFIC BOUND BASE (ENTRANCE)									151	151
12" GRANULAR EMBANKMENT	23573	277	3234	2489	3596	2047	6259			41475
FABRIC - GEOTEXTILE TYPE IV	23573	277	3234	2489	3596	2047	6259			41475
ASPHALT SEAL COAT (2.4 LBS/SY)	5600	234	2662	2810	2842	2786	1906			18840
ASPHALT SEAL AGGREGATE	5600	234	2662	2810	2842	2786	1906			18840
JOINT ADHESIVE (LIN FT)	4900	400	3910	4500	3660	5070	1280	2100	400	26880
ASPH PAVE MILLING & TEXTURING (Approx 1.5")	954	215	1198	589	579	579	1569			3885
LONGITUDINAL EDGE KEY (Length)	1964	264	2761	2167	2513	1569				14420
LEVELING & WEDGING PG64-22 (Approx 0.5")	3180	144	799	1178	1401	2314				9016

PAVING AREAS

COUNTY OF	ITEM NO.	SHEET NO.
MADISON	7-8403.00	T8

THE STANDARD SPECIFICATIONS FOR ROAD AND BRIDGE CONSTRUCTION, CURRENT EDITION, AND OTHER SPECIAL NOTES AND SPECIFICATIONS WILL APPLY ON THIS PROJECT. SEE SECTION 716 FOR MEASUREMENT AND OTHER DETAILS. SEE SECTION 602 FOR SPIRAL REINFORCEMENT SPLICING

THE CONTRACTOR SHALL MAKE AN INSPECTION OF THE PROJECT SITE PRIOR TO SUBMITTING A BID AND SHALL BE THOROUGHLY FAMILIARIZED WITH EXISTING CONDITIONS. SUBMISSIONS OF A BID WILL BE CONSIDERED AN AFFIRMATION OF THIS INSPECTION HAVING BEEN COMPLETED.

ADD SENTENCE TO SECTION 834.06: ALL WIRE SHALL HAVE WORDING ADDED TO THE OUTER JACKET THAT STATES : "PROPERTY OF KENTUCKY TRANSPORTATION CABINET 502 564 0501".

CONSTRUCTION AND MEASUREMENT NOTES THAT ARE CONTRARY TO SECTION 716 AND 834

SUBSECTION: 716.03.03 B TRENCHING.
REVISION: REMOVE ENTIRE FOURTH SENTENCE IN FIRST PARAGRAPH:
NO PAYMENT FOR ADDITIONAL JUNCTION BOXES FOR GREATER DEPTHS WILL BE ALLOWED.

SUBSECTION: 716.04.08 LIGHTING CONTROL EQUIPMENT.
REVISION: REPLACE THE PARAGRAPH WITH THE FOLLOWING:
THE DEPARTMENT WILL MEASURE THE QUANTITY AS EACH INDIVIDUAL UNIT FURNISHED AND INSTALLED. THE DEPARTMENT WILL NOT MEASURE THE CONCRETE BASE, EXCAVATION, BACKFILLING, RESTORATION, ANY NECESSARY ANCHORS, ELECTRICAL INSPECTION FEES, AND REQUIRED BUILDING FEES INVOLVING UTILITY SECONDARY/PRIMARY SERVICE FOR PAYMENT AND WILL CONSIDER THEM INCIDENTAL TO THIS ITEM OF WORK. THE DEPARTMENT WILL ALSO NOT MEASURE/ FURNISHING AND INSTALLING ELECTRICAL SERVICE CONDUCTORS, SPECIFIED CONDUITS, METER BASE, WOOD POLE, TRANSFORMER, SERVICE PANEL, FUSED CUTOFF, FUSES, LIGHTING ARRESTORS, PHOTOELECTRICAL CONTROL, CIRCUIT BREAKERS, CONTACTOR, MANUAL SWITCH, GROUND RODS, GROUND LUGS, AND GROUND WIRES FOR PAYMENT AND WILL CONSIDER THEM INCIDENTAL TO THIS ITEM OF WORK. THE DEPARTMENT WILL NOT MEASURE THE FILLING OF ANY UNUSED HOLES WITH AND WILL CONSIDER THEM INCIDENTAL TO THIS ITEM OF WORK.

ROADWAY LIGHTING ESTIMATE OF QUANTITIES

TOTAL	UNITS	CODE	ITEM DESCRIPTION
9	EACH	4714	POLE 120' MTG HT HIGH MAST
2	EACH	4761	LIGHTING CONTROL EQUIPMENT
1041	LIN FT	4797	CONDUIT 3 INCH
15	EACH	4800	MARKER
9,962	LIN FT	4820	TRENCHING AND BACKFILLING
4	EACH	2039INS835	ELECTRICAL JUNCTION BOX TYPE A
4	EACH	20392NS835	ELECTRICAL JUNCTION BOX TYPE C
1,041	LIN FT	21543EN	BORE AND JACK CONDUIT
45	CU YD	23161EN	POLE BASE - HIGH MAST
44	EACH	247494EC	HIGH MAST LED LUMINAIRE
10740	LIN FT	24851EC	CABLE - NO. 10/3 DUCTED

DESIGNED BY: BEI
DATE SUBMITTED: 03/23/18

Commonwealth of Kentucky
DEPARTMENT OF HIGHWAYS
COUNTY OF
MADISON

PROJECT
NUMBERS: JL03 076 0627 000-001

ROADWAY LIGHTING ESTIMATES
OF QUANTITIES

COUNTY OF	ITEM NO.	SHEET NO.
MADISON	7-8403.00	T8

REVISED 2-8-19

THE STANDARD SPECIFICATIONS FOR ROAD AND BRIDGE CONSTRUCTION, CURRENT EDITION, AND OTHER SPECIAL NOTES AND SPECIFICATIONS WILL APPLY ON THIS PROJECT. SEE SECTION 716 FOR MEASUREMENT AND OTHER DETAILS. SEE SECTION 602 FOR SPIRAL REINFORCEMENT SPLICING

THE CONTRACTOR SHALL MAKE AN INSPECTION OF THE PROJECT SITE PRIOR TO SUBMITTING A BID AND SHALL BE THOROUGHLY FAMILIARIZED WITH EXISTING CONDITIONS. SUBMISSIONS OF A BID WILL BE CONSIDERED AN AFFIRMATION OF THIS INSPECTION HAVING BEEN COMPLETED.

ADD SENTENCE TO SECTION 834.06: ALL WIRE SHALL HAVE WORDING ADDED TO THE OUTER JACKET THAT STATES : "PROPERTY OF KENTUCKY TRANSPORTATION CABINET 502 564 0501".

CONSTRUCTION AND MEASUREMENT NOTES THAT ARE CONTRARY TO SECTION 716 AND 834

SUBSECTION: 716.03.03 B TRENCHING.
 REVISION: REMOVE ENTIRE FOURTH SENTENCE IN FIRST PARAGRAPH: NO PAYMENT FOR ADDITIONAL JUNCTION BOXES FOR GREATER DEPTHS WILL BE ALLOWED.

SUBSECTION: 716.04.08 LIGHTING CONTROL EQUIPMENT.
 REVISION: REPLACE THE PARAGRAPH WITH THE FOLLOWING:
 THE DEPARTMENT WILL MEASURE THE QUANTITY AS EACH INDIVIDUAL UNIT FURNISHED AND INSTALLED. THE DEPARTMENT WILL NOT MEASURE THE CONCRETE BASE, EXCAVATION, BACKFILLING, RESTORATION, ANY NECESSARY ANCHORS, ELECTRICAL INSPECTION FEES, AND REQUIRED BUILDING FEES INVOLVING UTILITY SECONDARY/PRIMARY SERVICE FOR PAYMENT AND WILL CONSIDER THEM INCIDENTAL TO THIS ITEM OF WORK. THE DEPARTMENT WILL ALSO NOT MEASURE/ FURNISHING AND INSTALLING ELECTRICAL SERVICE CONDUCTORS, SPECIFIED CONDUITS, METER BASE, WOOD POLE, TRANSFORMER, SERVICE PANEL, FUSED CUTOFF, FUSES, LIGHTING ARRESTORS, PHOTOELECTRICAL CONTROL, CIRCUIT BREAKERS, CONTACTOR, MANUAL SWITCH, GROUND RODS, GROUND LUGS, AND GROUND WIRES FOR PAYMENT AND WILL CONSIDER THEM INCIDENTAL TO THIS ITEM OF WORK. THE DEPARTMENT WILL NOT MEASURE THE FILLING OF ANY UNUSED HOLES WITH AND WILL CONSIDER THEM INCIDENTAL TO THIS ITEM OF WORK.

ROADWAY LIGHTING ESTIMATE OF QUANTITIES

TOTAL	UNITS	CODE	ITEM DESCRIPTION
9	EACH	4714	POLE 120' MTG HT HIGH MAST
2	EACH	4761	LIGHTING CONTROL EQUIPMENT
1041	LIN FT	4797	CONDUIT 3 INCH
15	EACH	4800	MARKER
9,962	LIN FT	4820	TRENCHING AND BACKFILLING
4	EACH	2039INS835	ELECTRICAL JUNCTION BOX TYPE A
4	EACH	20392NS835	ELECTRICAL JUNCTION BOX TYPE C
1,041	LIN FT	21543EN	BORE AND JACK CONDUIT
45	CU YD	23161EN	POLE BASE - HIGH MAST
44	EACH	247494EC	HIGH MAST LED LUMINAIRE
10740	LIN FT	24851EC	CABLE - NO. 10/3 DUCTED

DESIGNED BY: BEI
 DATE SUBMITTED: 03/23/18

Commonwealth of Kentucky
DEPARTMENT OF HIGHWAYS
 COUNTY OF
MADISON

PROJECT
 NUMBERS: JL03 076 0627 000-001

ROADWAY LIGHTING ESTIMATES
 OF QUANTITIES

